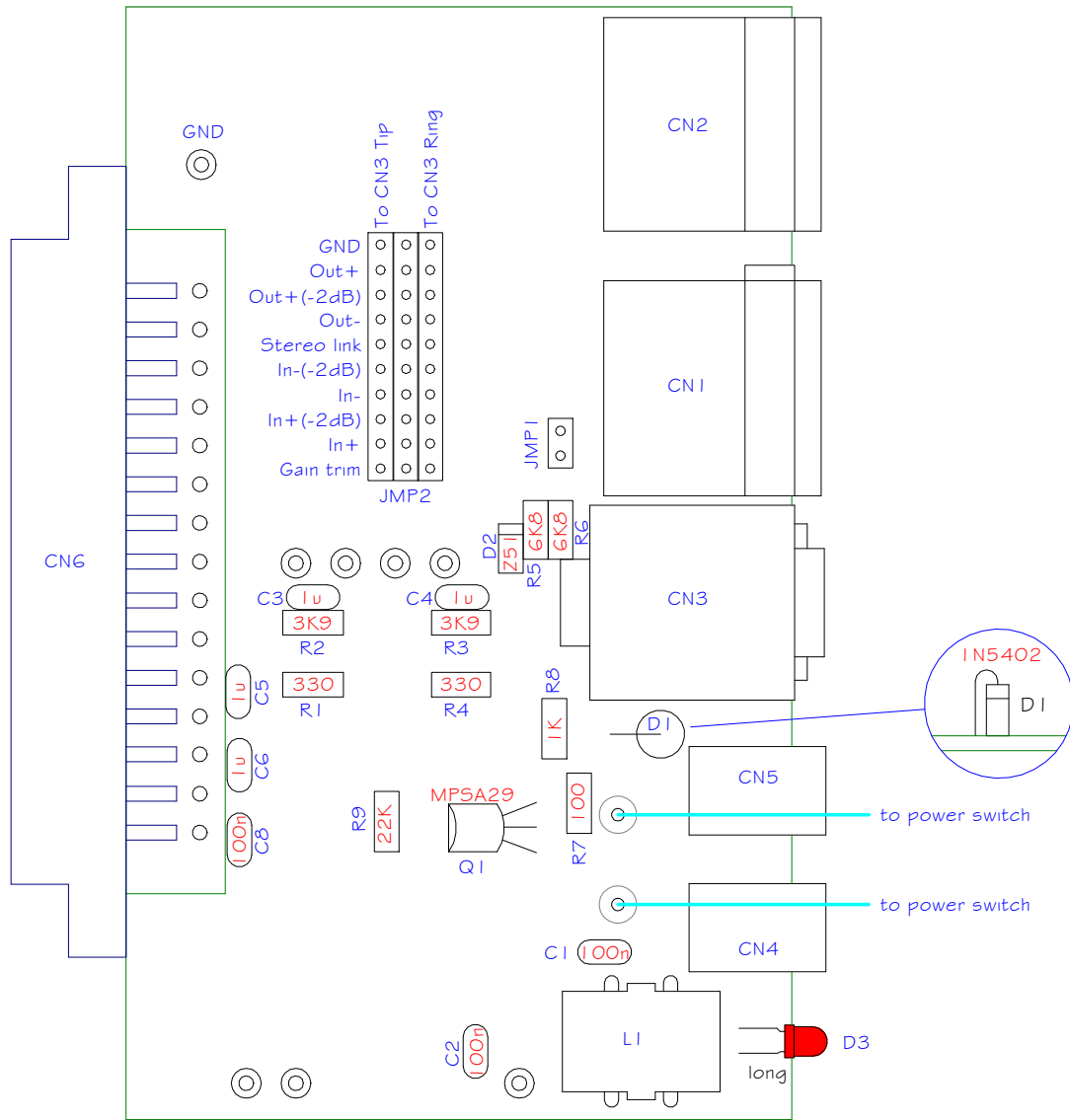
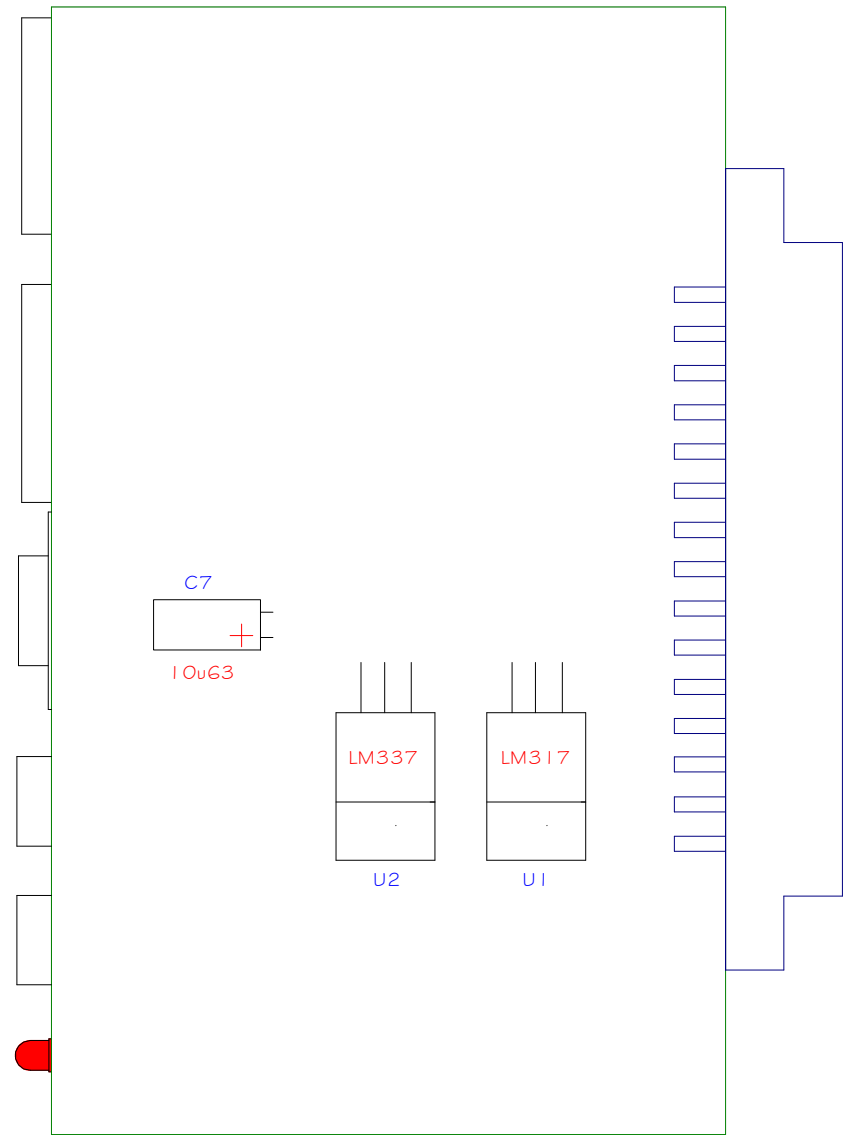


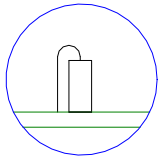
TOP



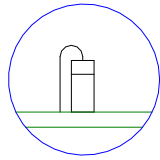
BOTTOM



SOUND SKULPTOR	Title	501 Component Layout	PCB Rev	1.3
	www.soundskulptor.com Copyright ©2014 to today Soundskulptor		Last modified	09/01/14



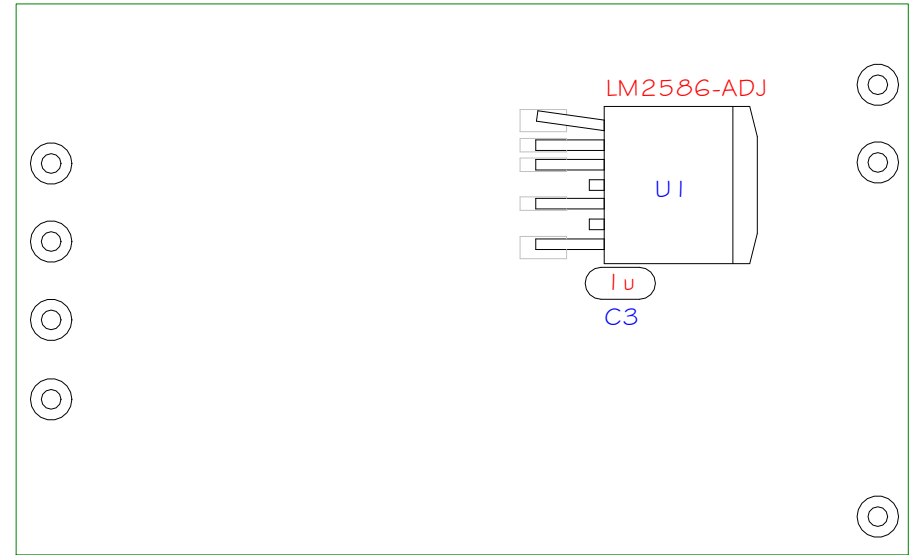
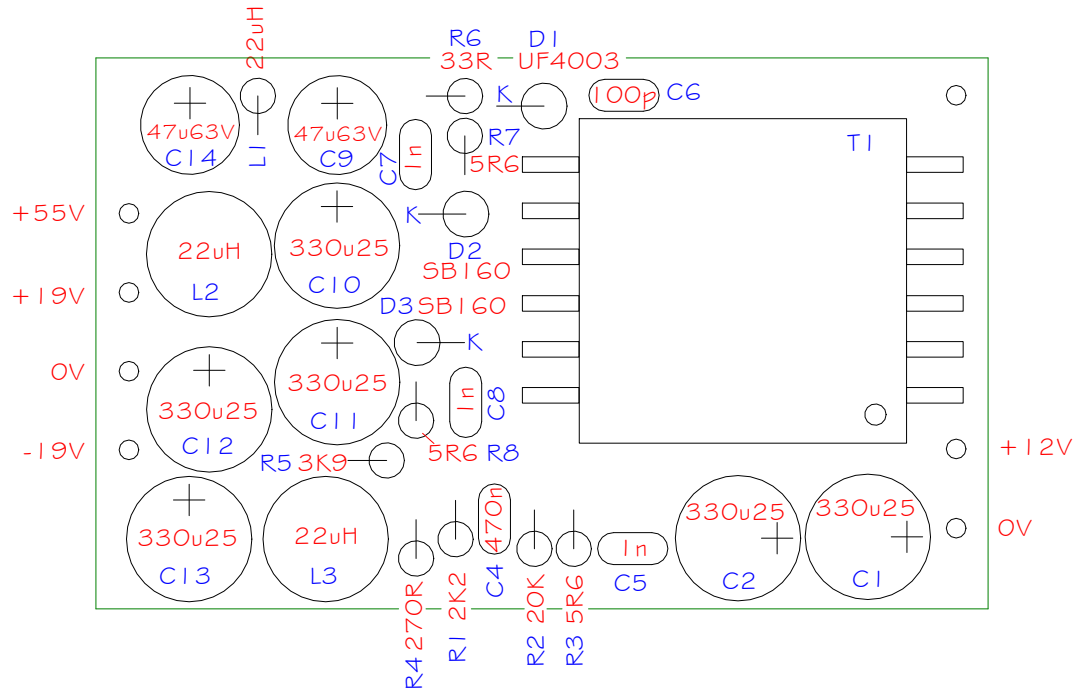
R1...R8, L1



D1, D2, D3

TOP

BOTTOM



SOUND SKULPTOR	Title	SWITCHER3 Component Layout	Sch Rev	1.2
	www.soundskulptor.com Copyright ©2014 to today Soundskulptor		PCB Rev	1.2
			Last modified	02/01/14