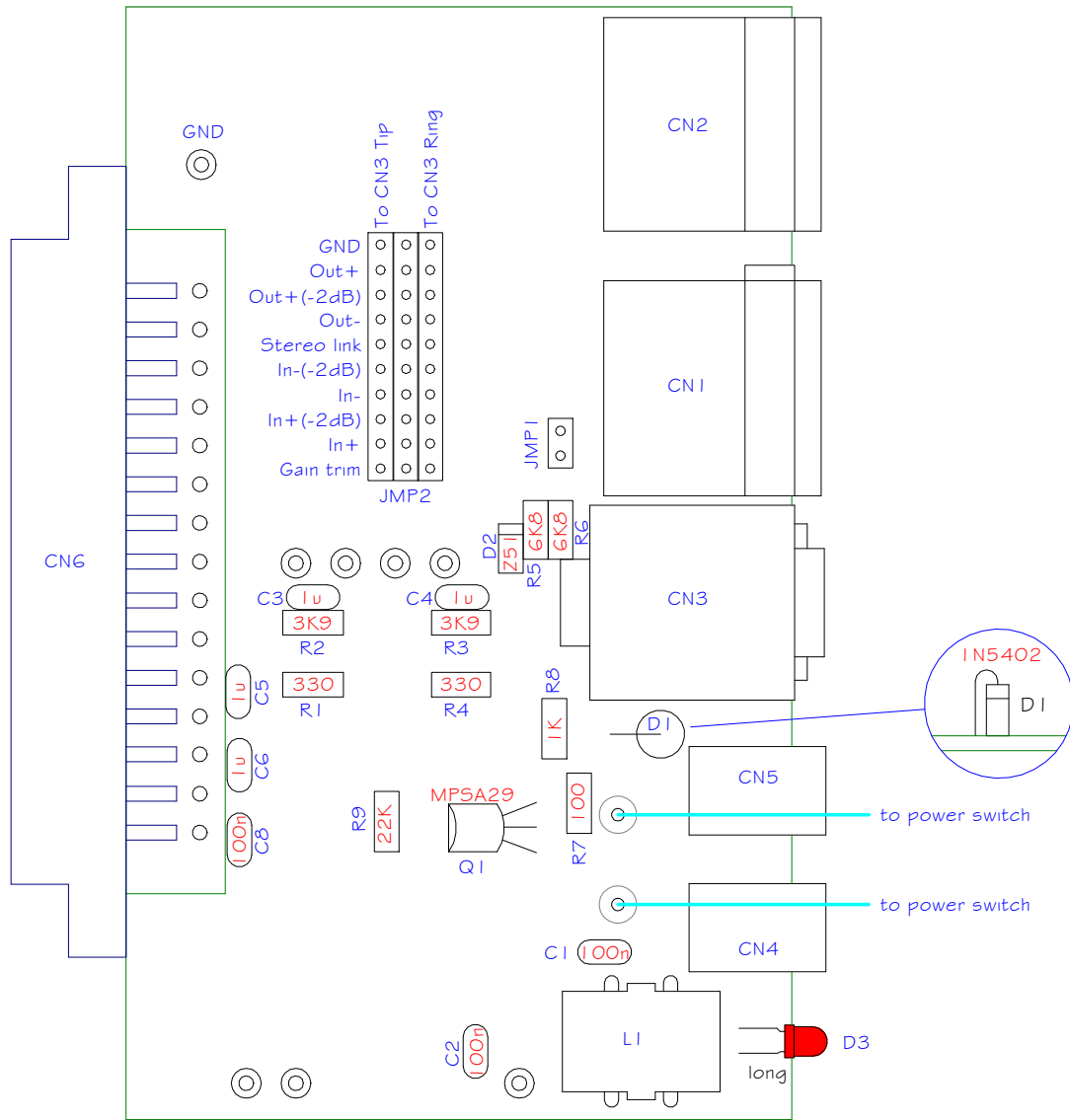
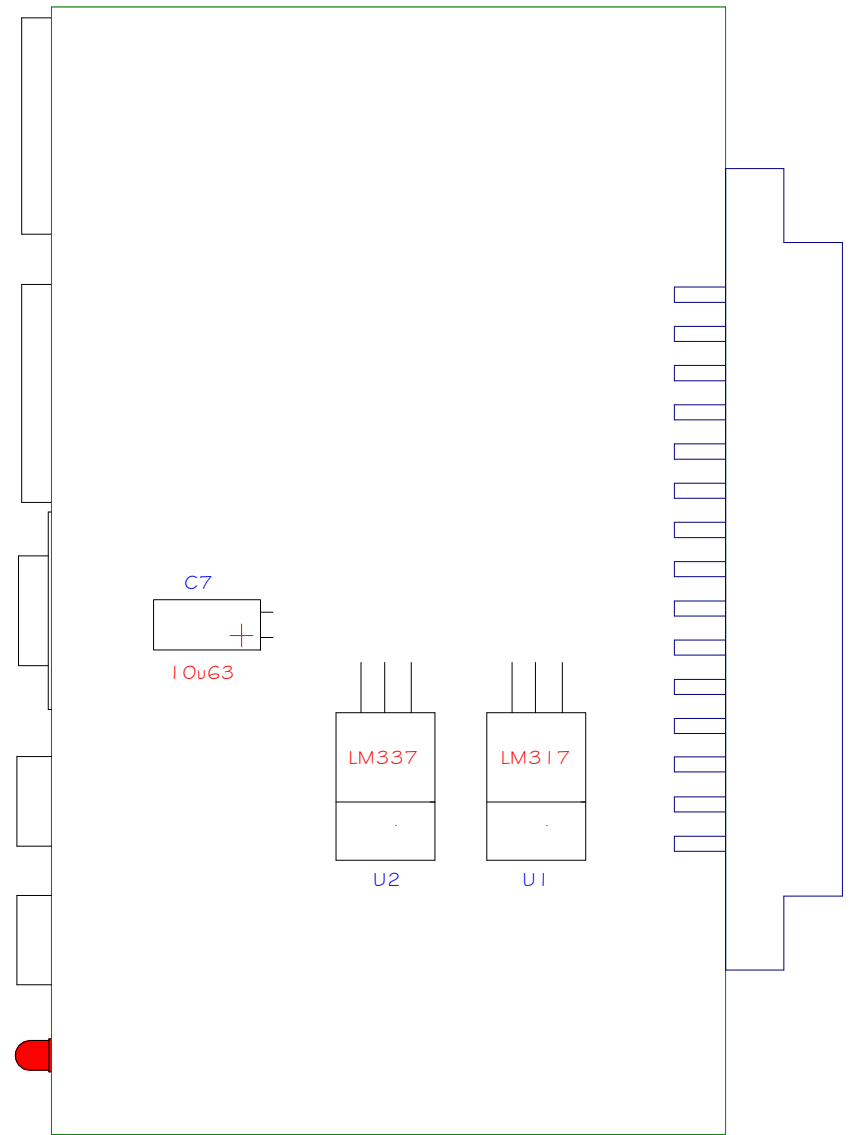


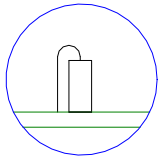
TOP



BOTTOM

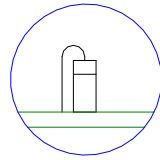


<b>SOUND SKULPTOR</b>	Title	501 Component Layout	PCB Rev	1.3
	www.soundskulptor.com Copyright ©2014 to today Soundskulptor		Last modified	09/01/14



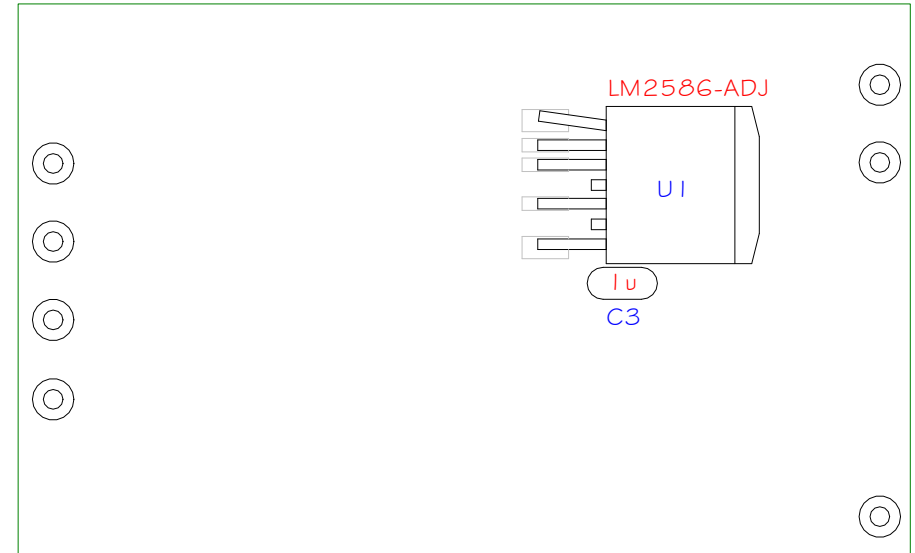
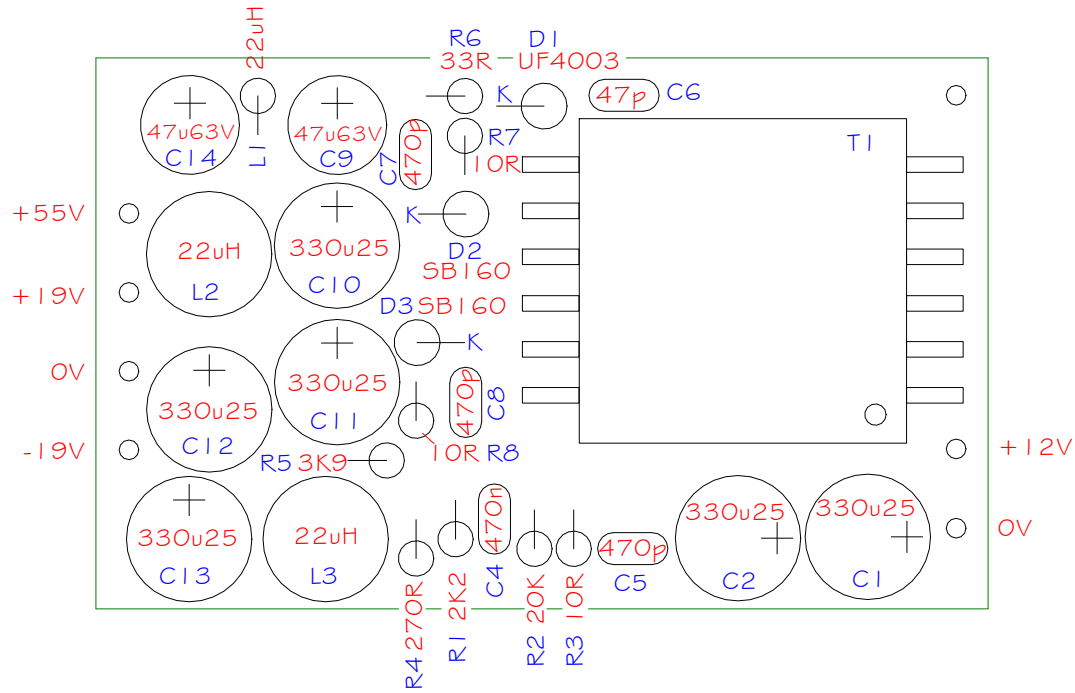
R1...R8, L1

TOP



D1, D2, D3

BOTTOM



<b>SOUND SKULPTOR</b>	Title	SWITCHER3 Component Layout	Sch Rev	1.3
	www.soundskulptor.com Copyright ©2014 to today Soundskulptor		PCB Rev	1.2
			Last modified	02/01/15