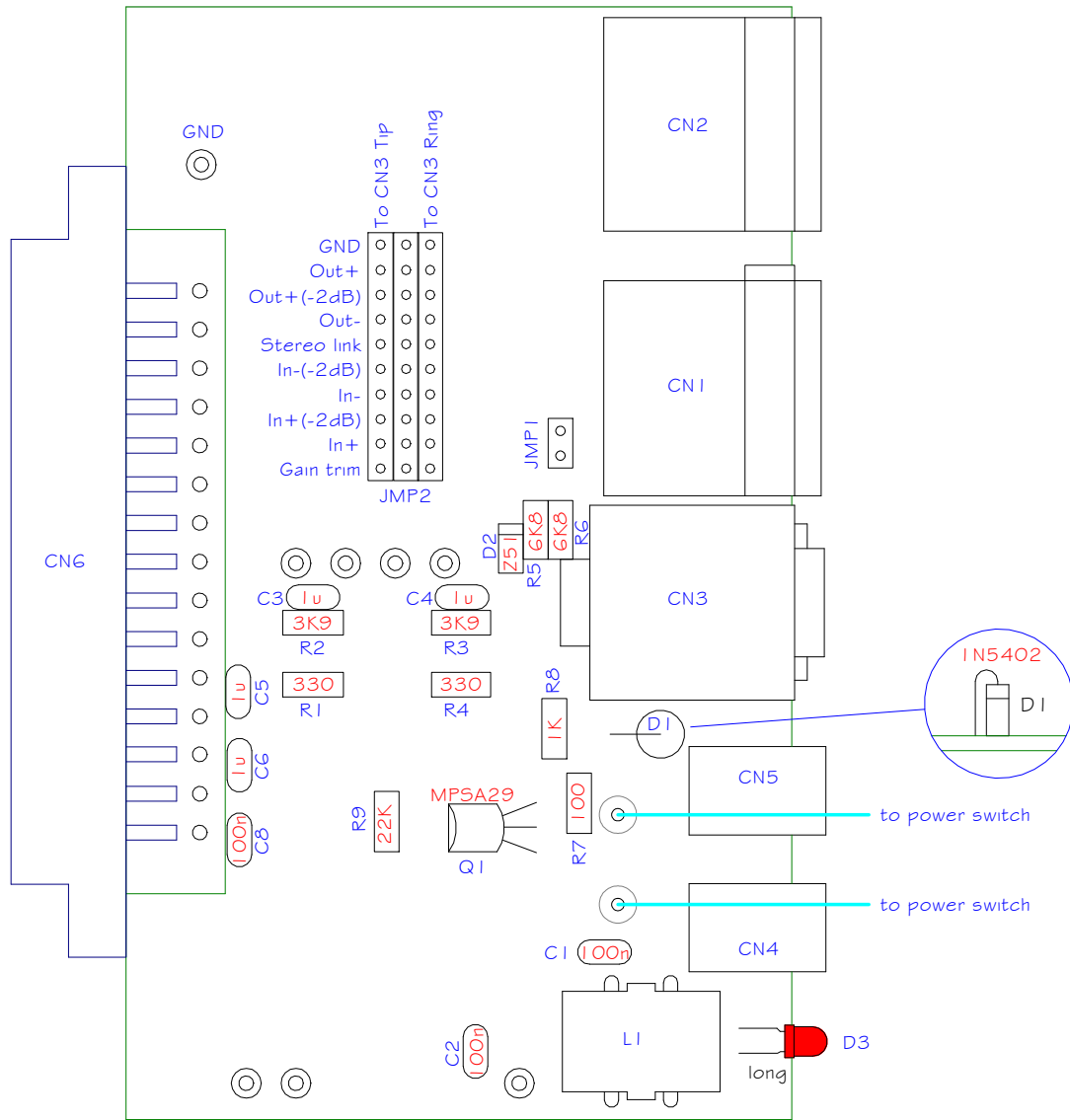
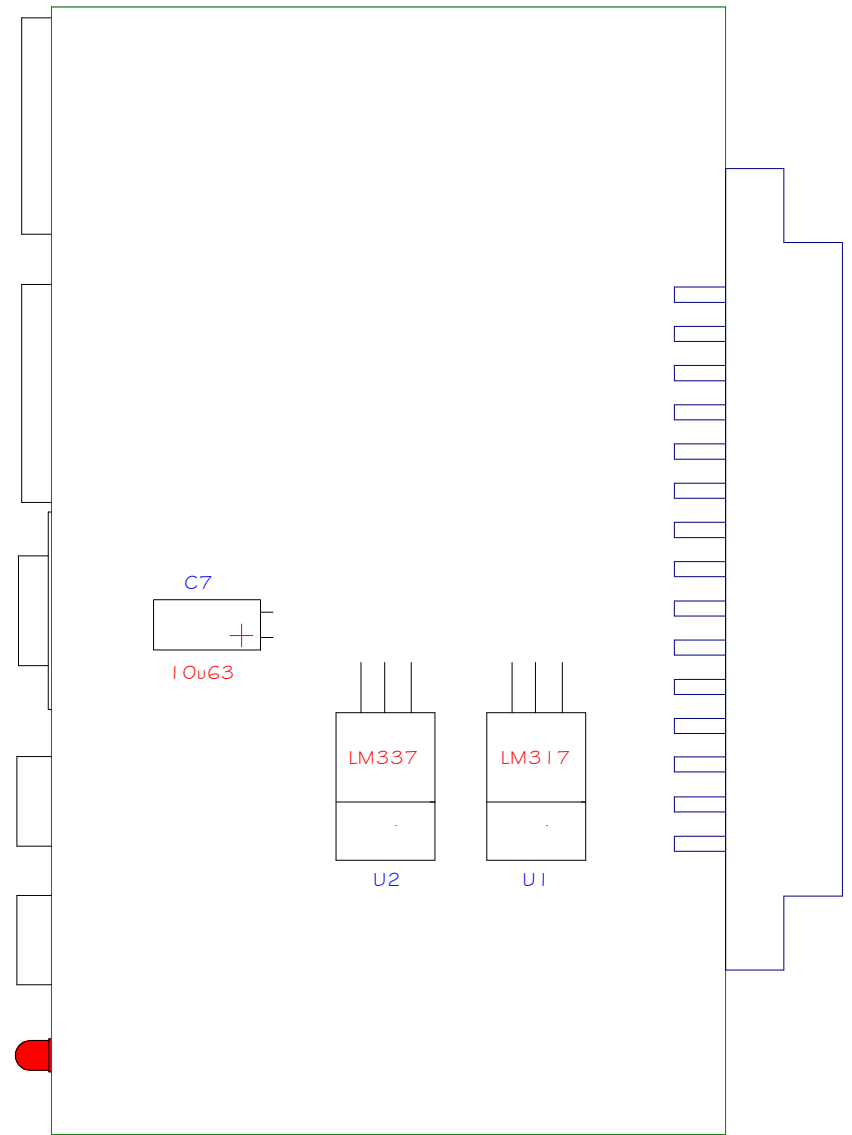


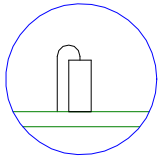
TOP



BOTTOM

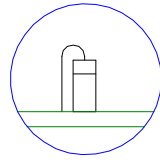


SOUND SKULPTOR	Title	501 Component Layout	PCB Rev	1.3
	www.soundskulptor.com Copyright ©2014 to today Soundskulptor		Last modified	09/01/14



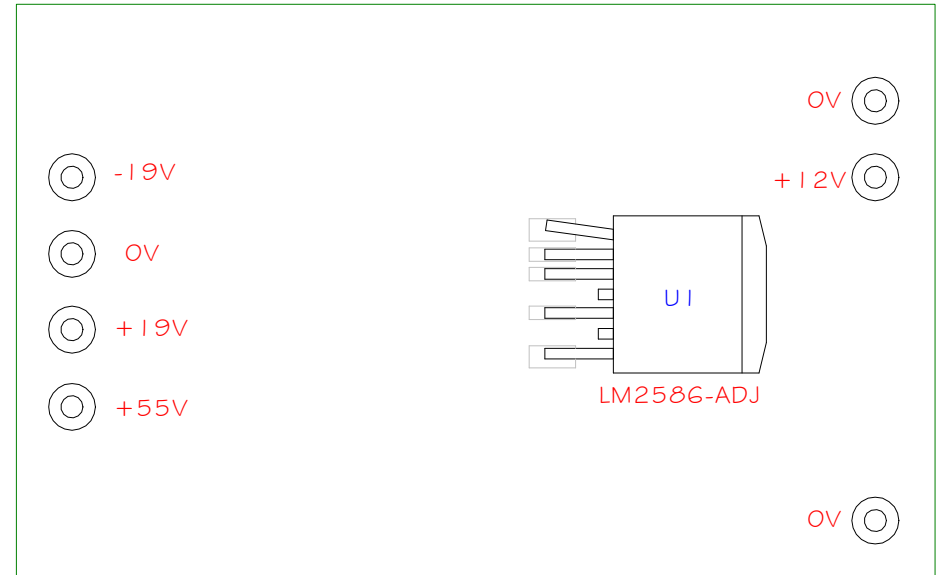
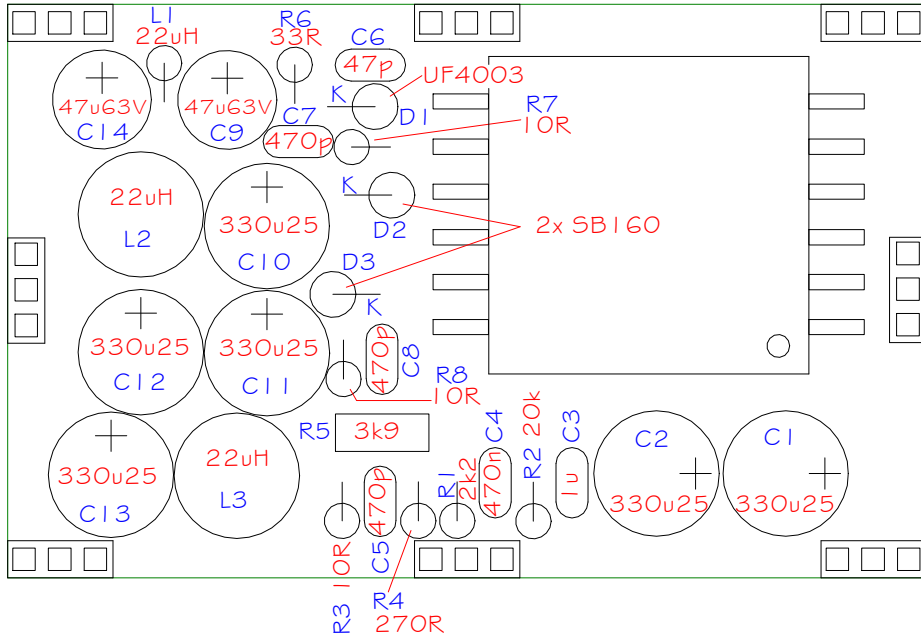
RI...R4, R6...R8, LI

TOP



DI, D2, D3

BOTTOM



SOUND SKULPTOR	Title	SWITCHER3 Component Layout	Sch Rev	1.3
	www.soundskulptor.com Copyright ©2015 to today Soundskulptor		PCB Rev	1.3
			Last modified	16/04/15