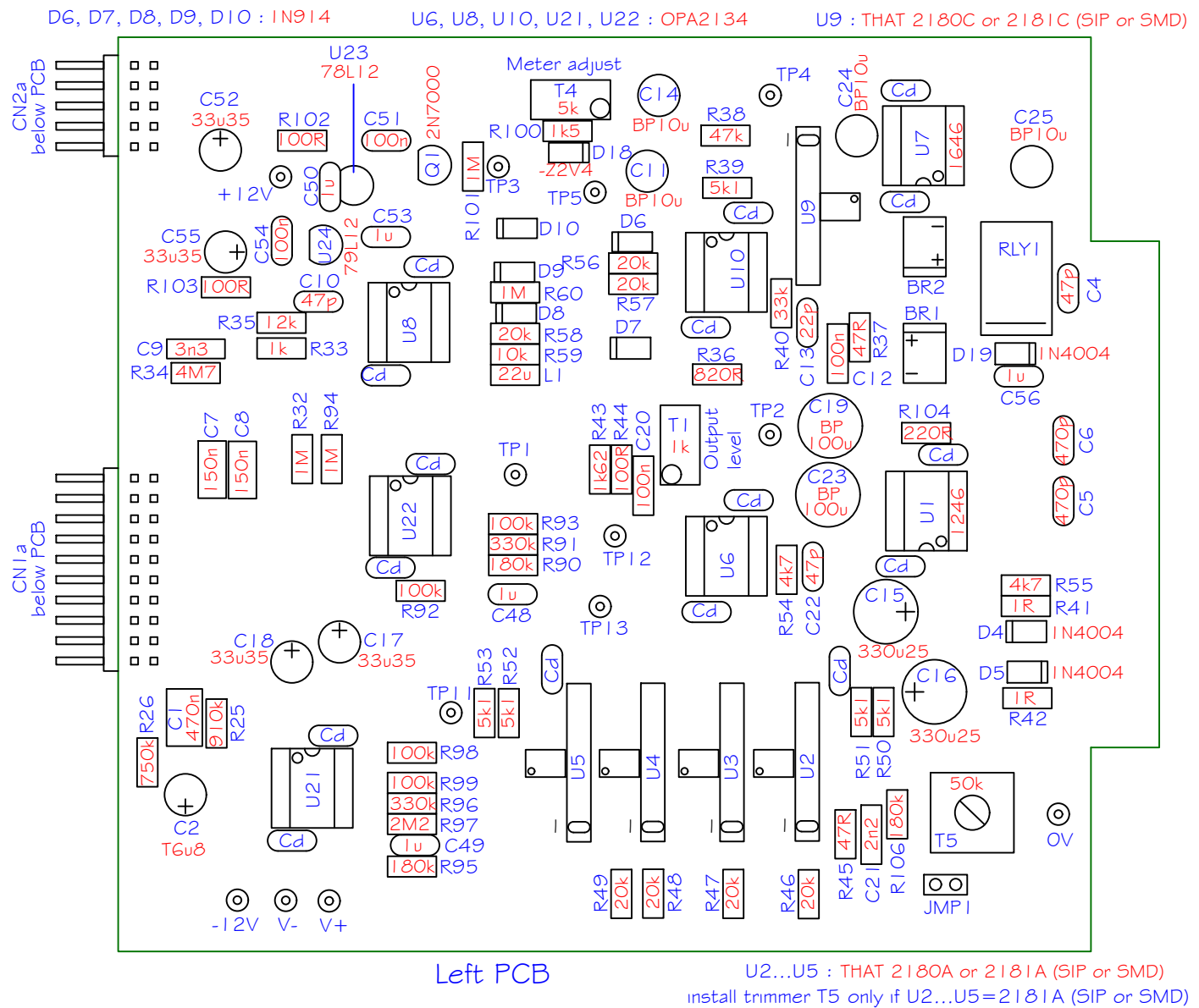


Sound Skulptor	Title: CP4500 - Layout Front PCB (C)	Sch Rev: 1.3
		PCB Rev: 1.4
		Last modified: 01/12/2021

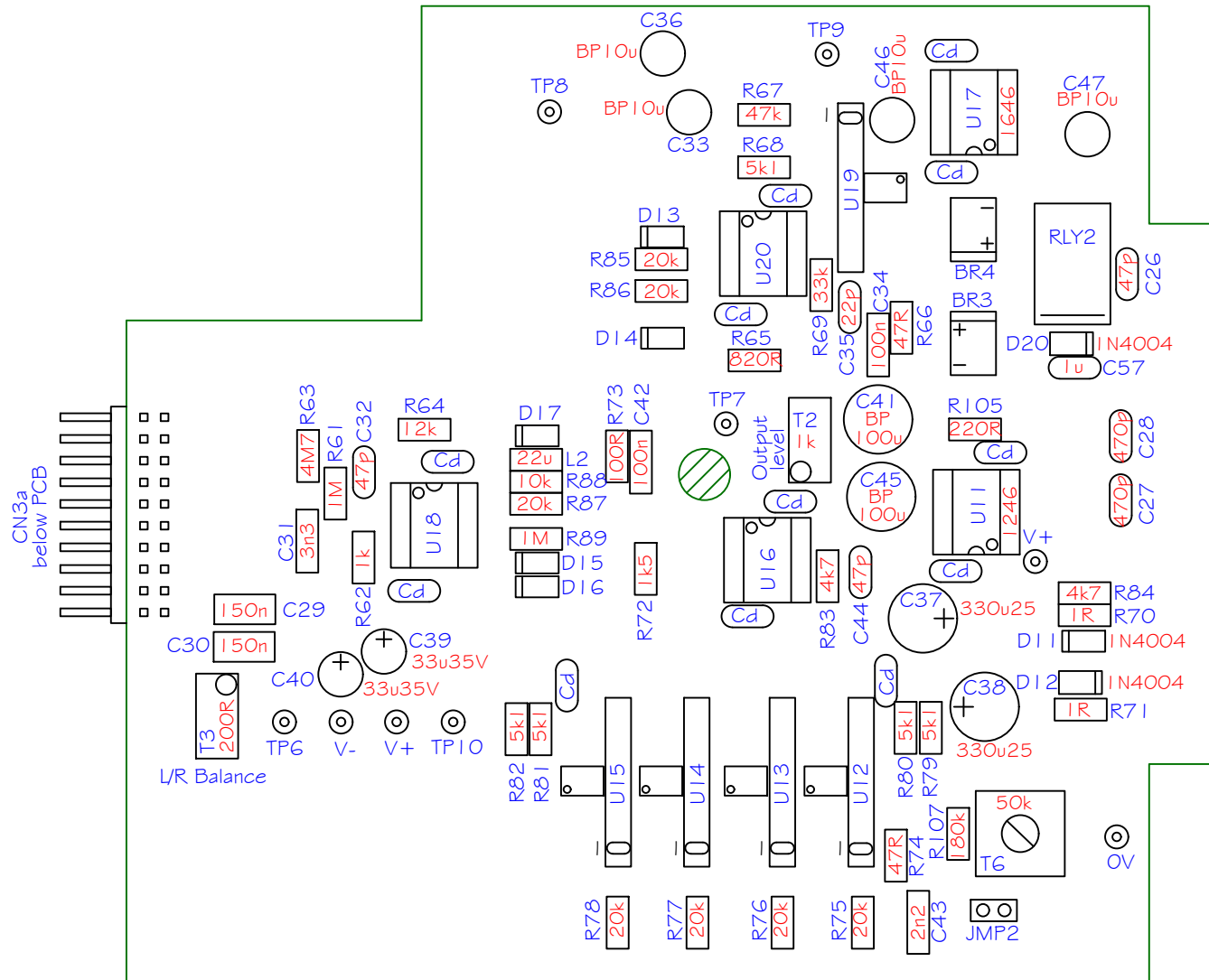


Sound Skulptor	Title: CP4500 - Layout Left PCB (A)	Sch Rev: 1.3
		PCB Rev: 1.4
		Last modified: 01/12/2021

D13, D14, D15, D16, D17 : 1N914

U16, U18, U20 : OPA2134

U19 : THAT 2180C or 2181C (SIP or SMD)



Right PCB

U12...U15 : THAT 2180A or 2181A (SIP or SMD)
install trimmer T6 only if U12...U15=2181A (SIP or SMD)

Sound Skulptor	Title: CP4500 - Layout Right PCB (B)	Sch Rev: 1.3
		PCB Rev: 1.4
		Last mdified: 01/12/2021