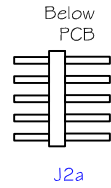
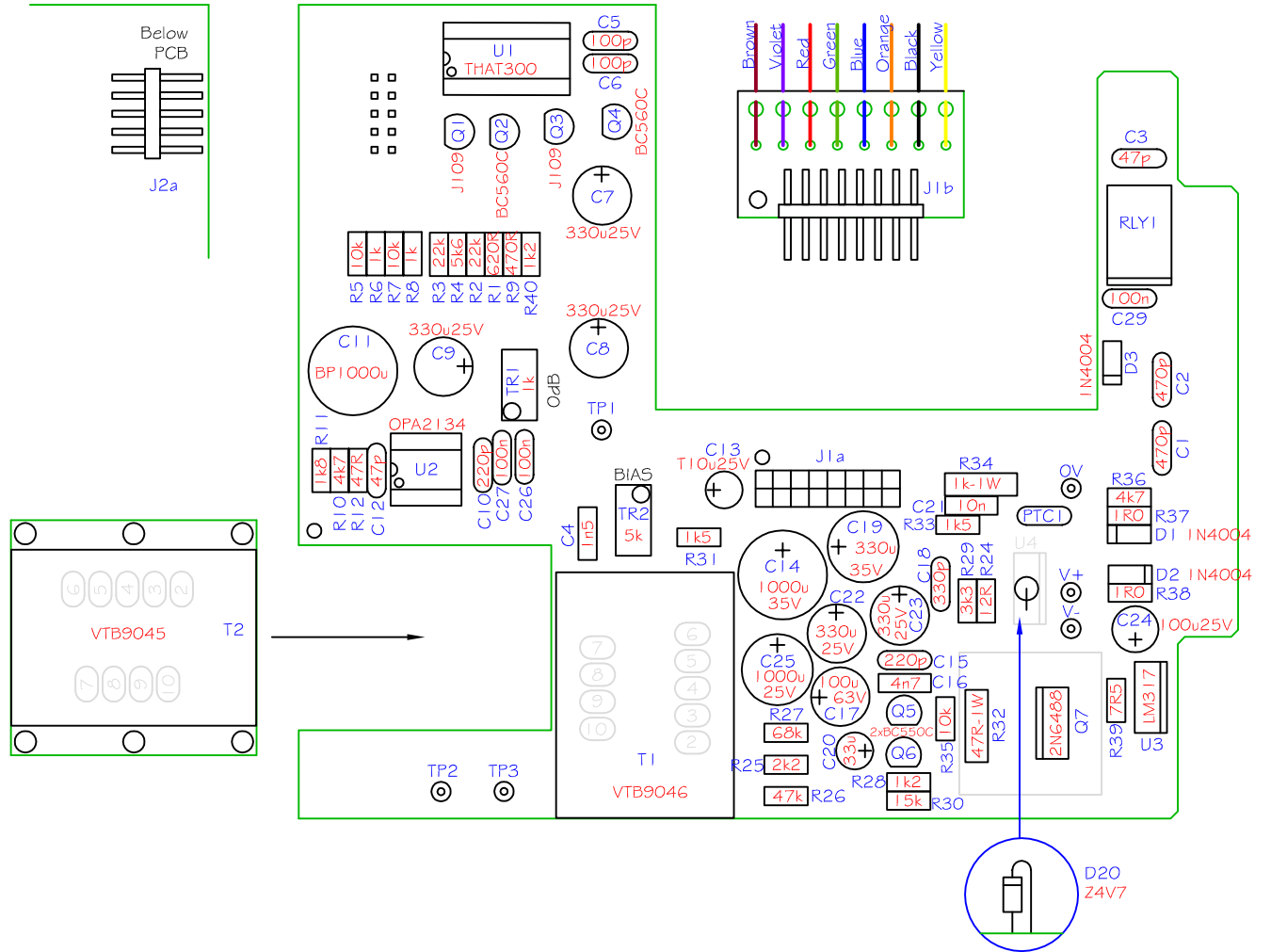


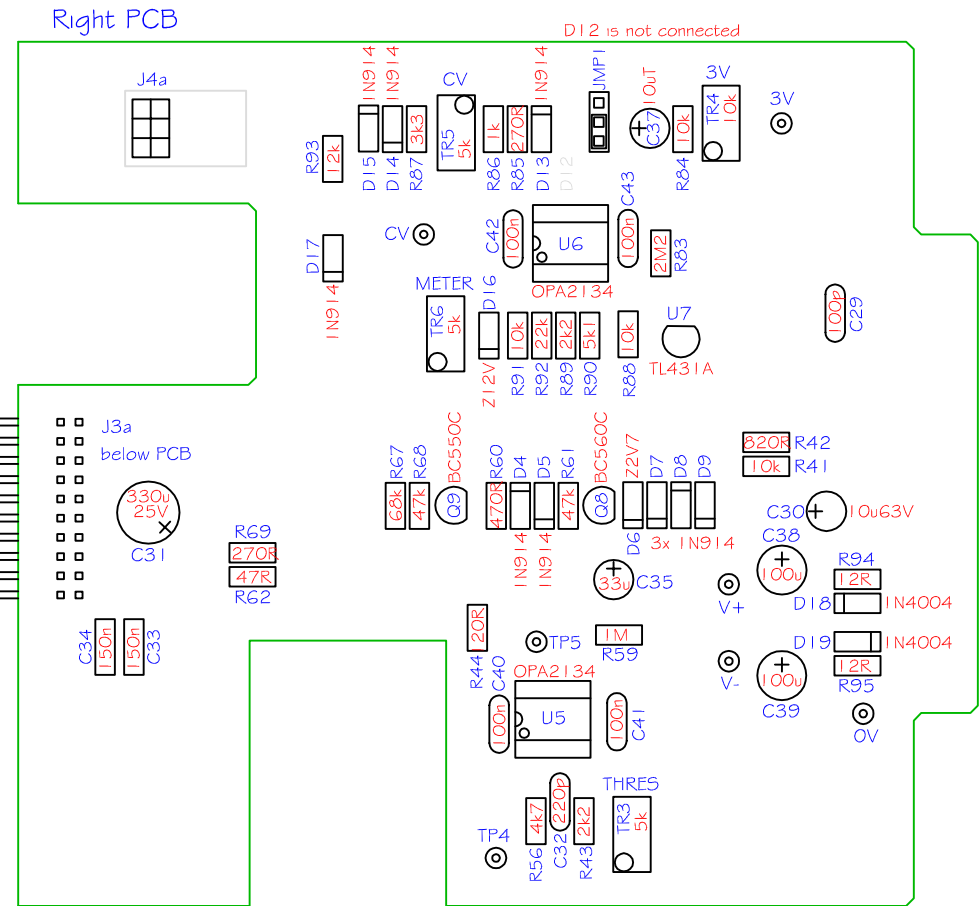
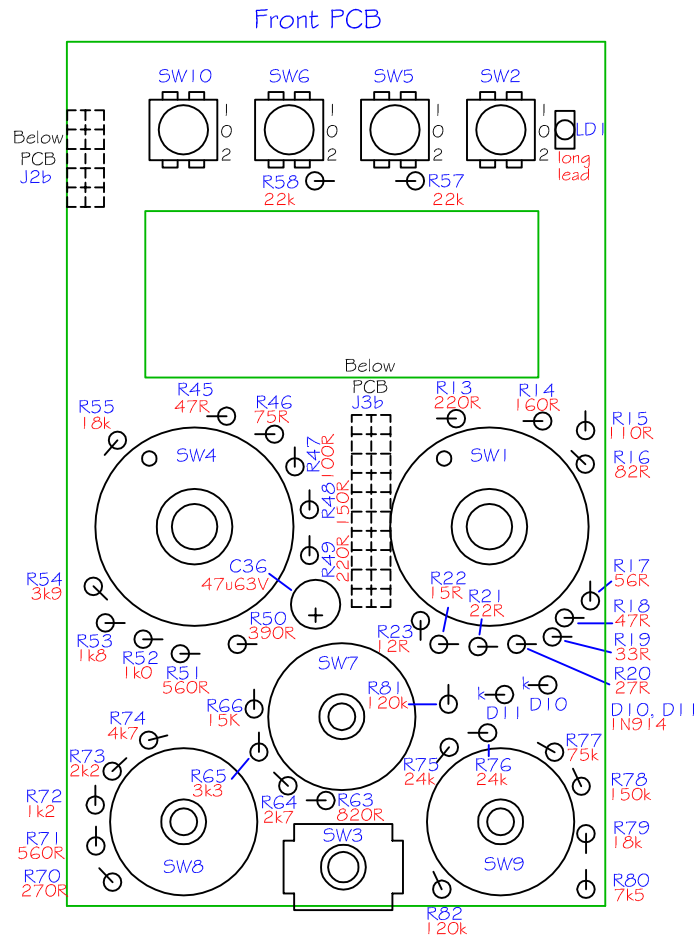
solder side



Le'ft PCB



Sound Skulptor	Title: CP554 - Layout Audio path PCB (1)	Sch Rev: 1.3
		PCB Rev: 1.3
		Last mdified: 20/06/2022



<h1>Sound Skulptor</h1>	Title: CP554 - Layout Front (3) & Side chain (2) PCB	Sch Rev: 1.3
		PCB Rev: 1.3
		Last mdified: 04/05/2023