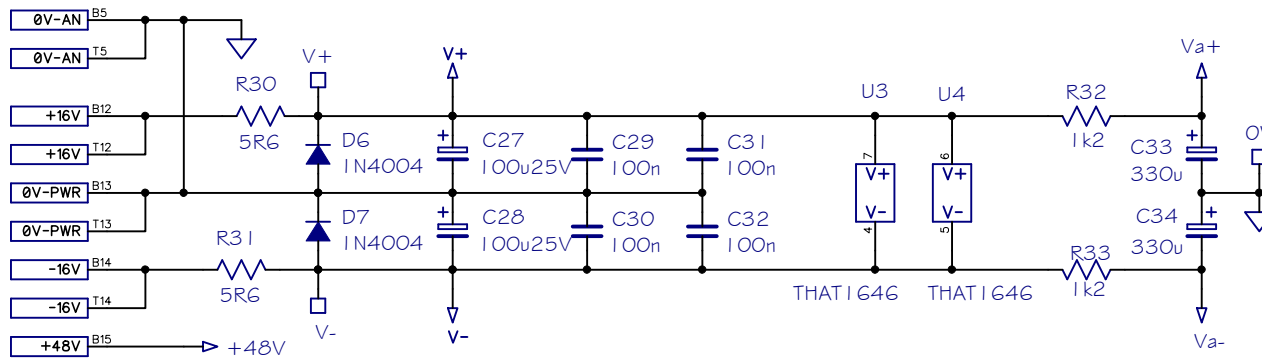
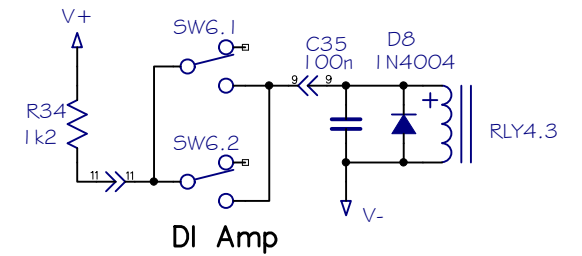
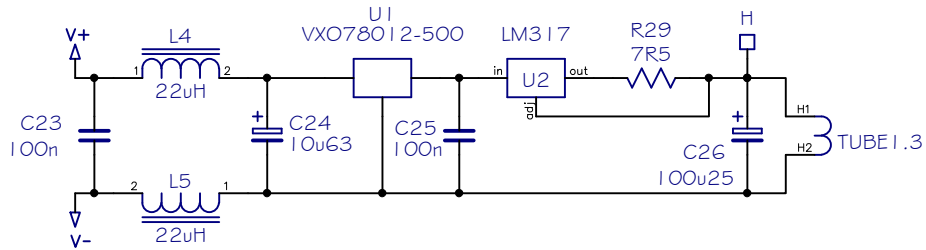
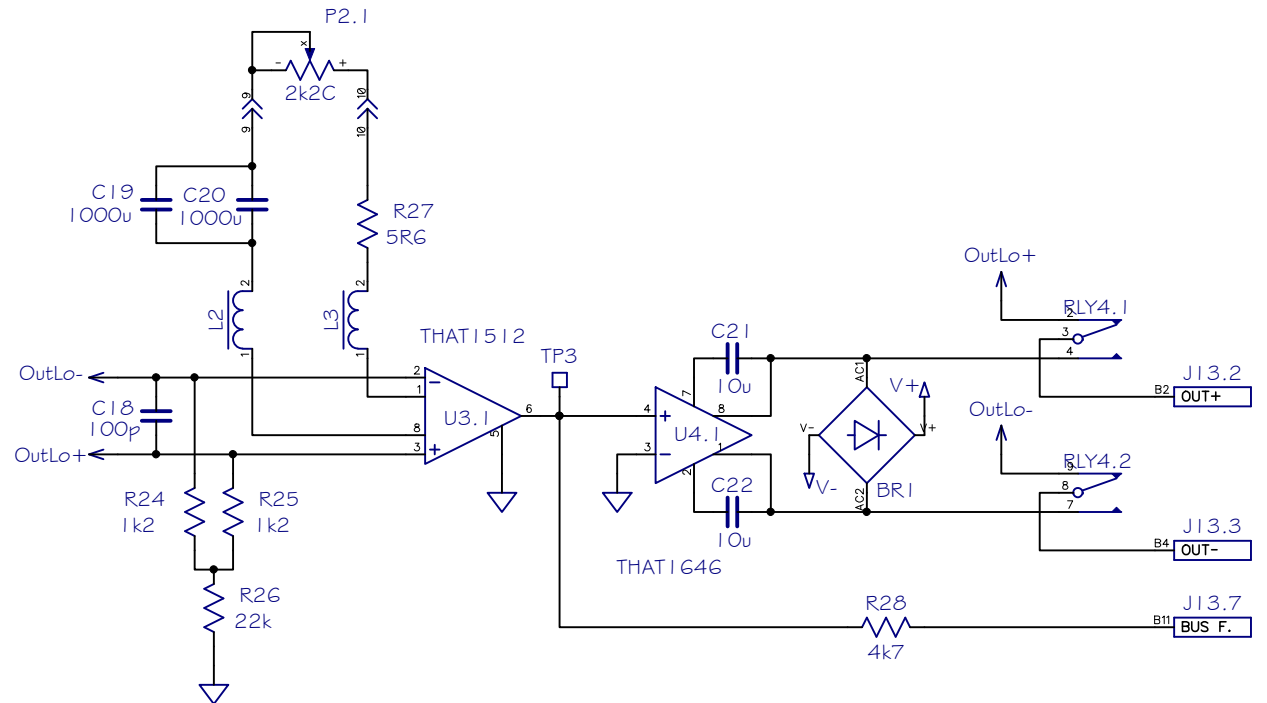
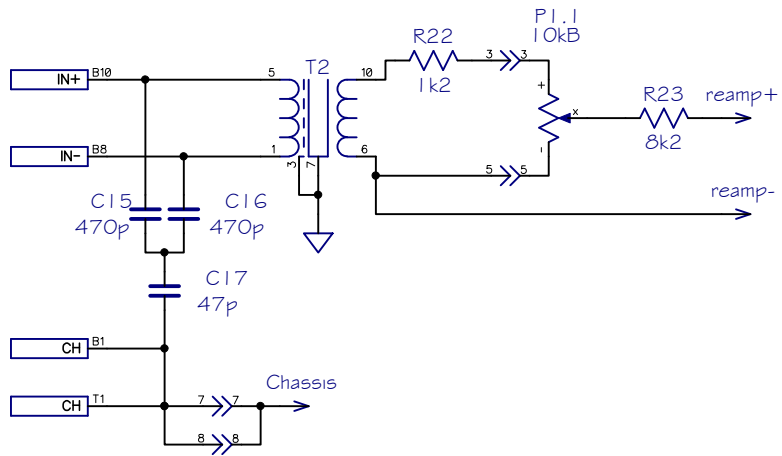


Zin:  
 PASV: 300k  
 TUBE: 1M5  
 FET: 3M2

Sound	DI503J	1/2	Rev : 1.2
Skulptor	www.soundskulptor.com Copyright © 2021 to today SoundSkulptor		Date: 11/05/21



Sound	DI503J	2/2	Rev : 1.2
Skulptor	www.soundskulptor.com Copyright © 2021 to today SoundSkulptor		Date: 11/05/21