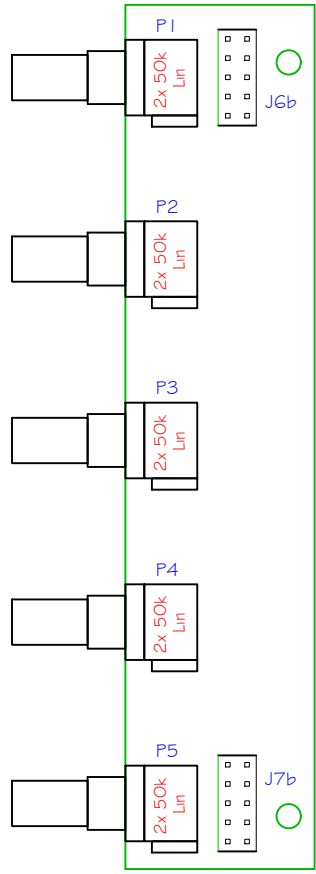
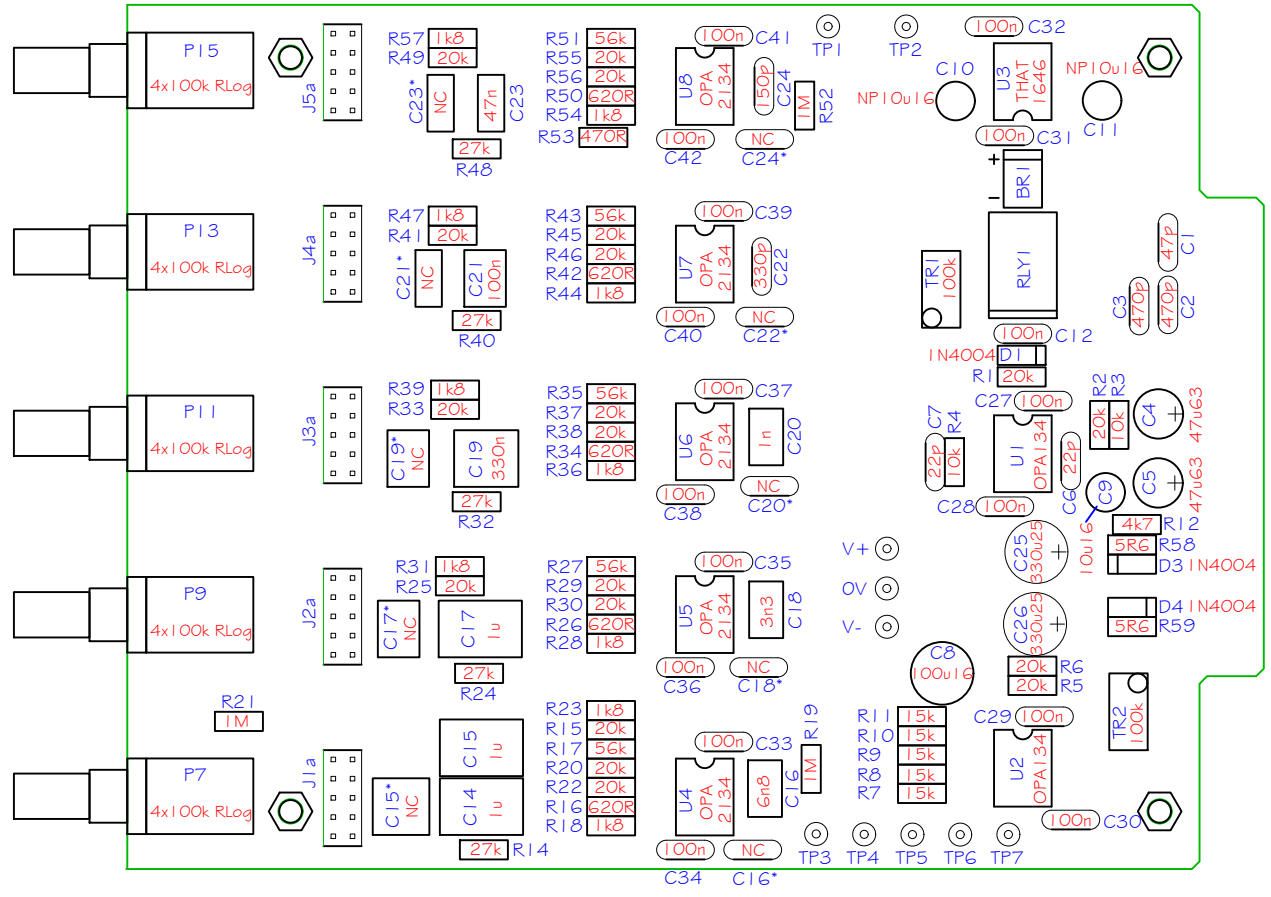


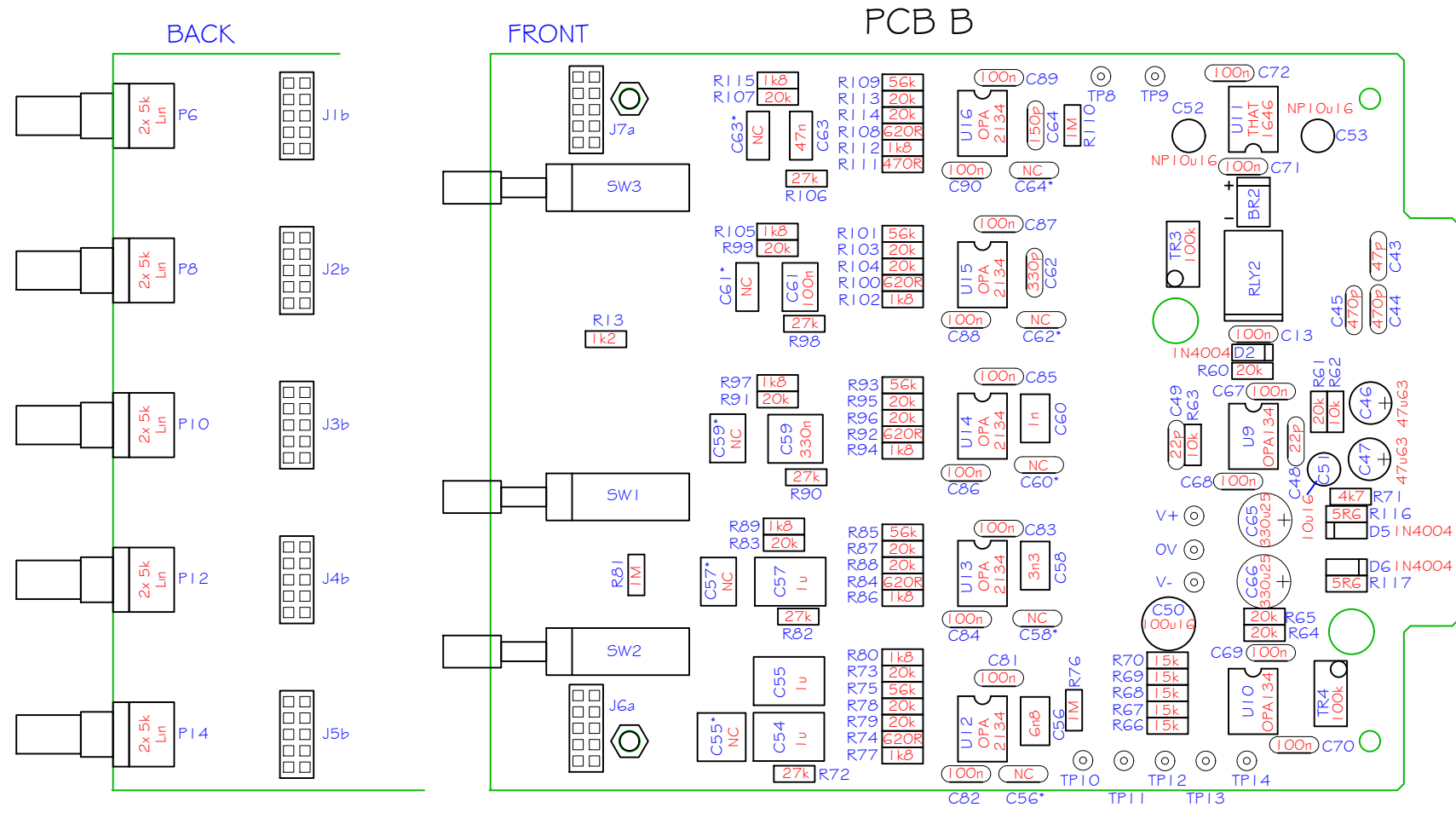
PCB C



PCB A



Sound Skulptor	Title: EQ250 - Layout: Left channel \$ dB board	Sch Rev: 1.4
	www.soundskulptor.com	PCB Rev: 1.4
	Copyright ©2024 to today Soundskulptor	Last mdfied: 07/11/2024



Sound Skulptor	Title: EQ250 - Layout: Right channel	Sch Rev: 1.4
	www.soundskulptor.com	PCB Rev: 1.4
	Copyright ©2024 to today Soundskulptor	Last modified: 07/11/2024