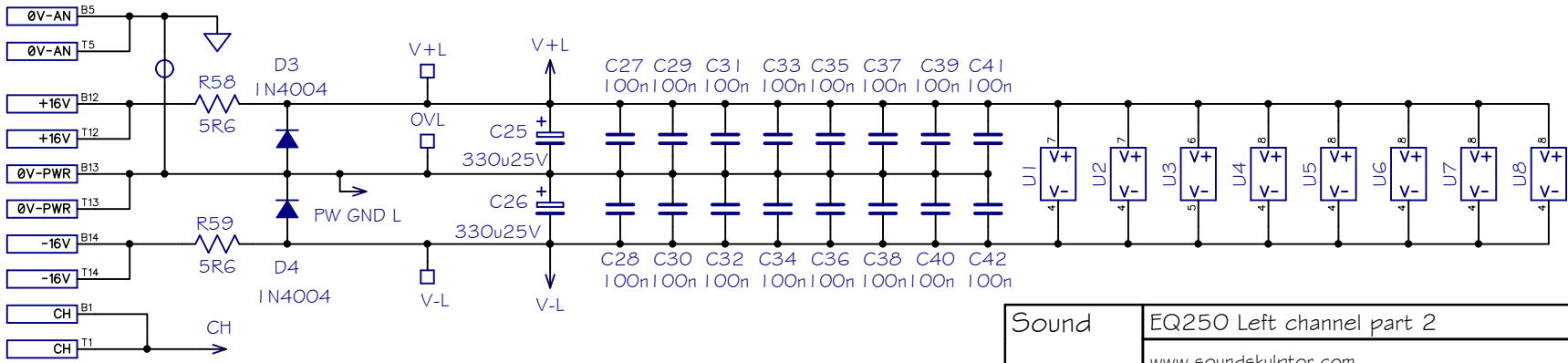
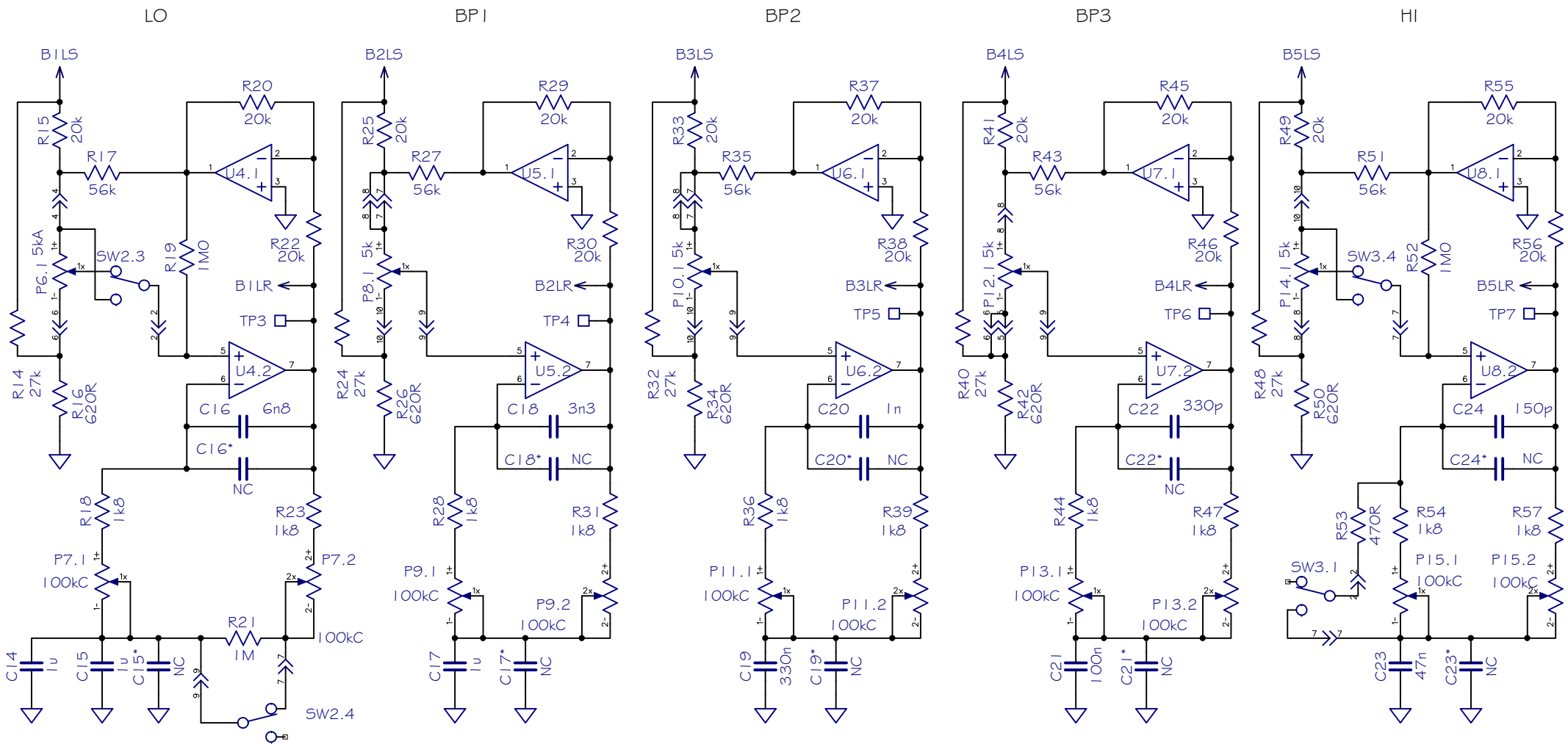
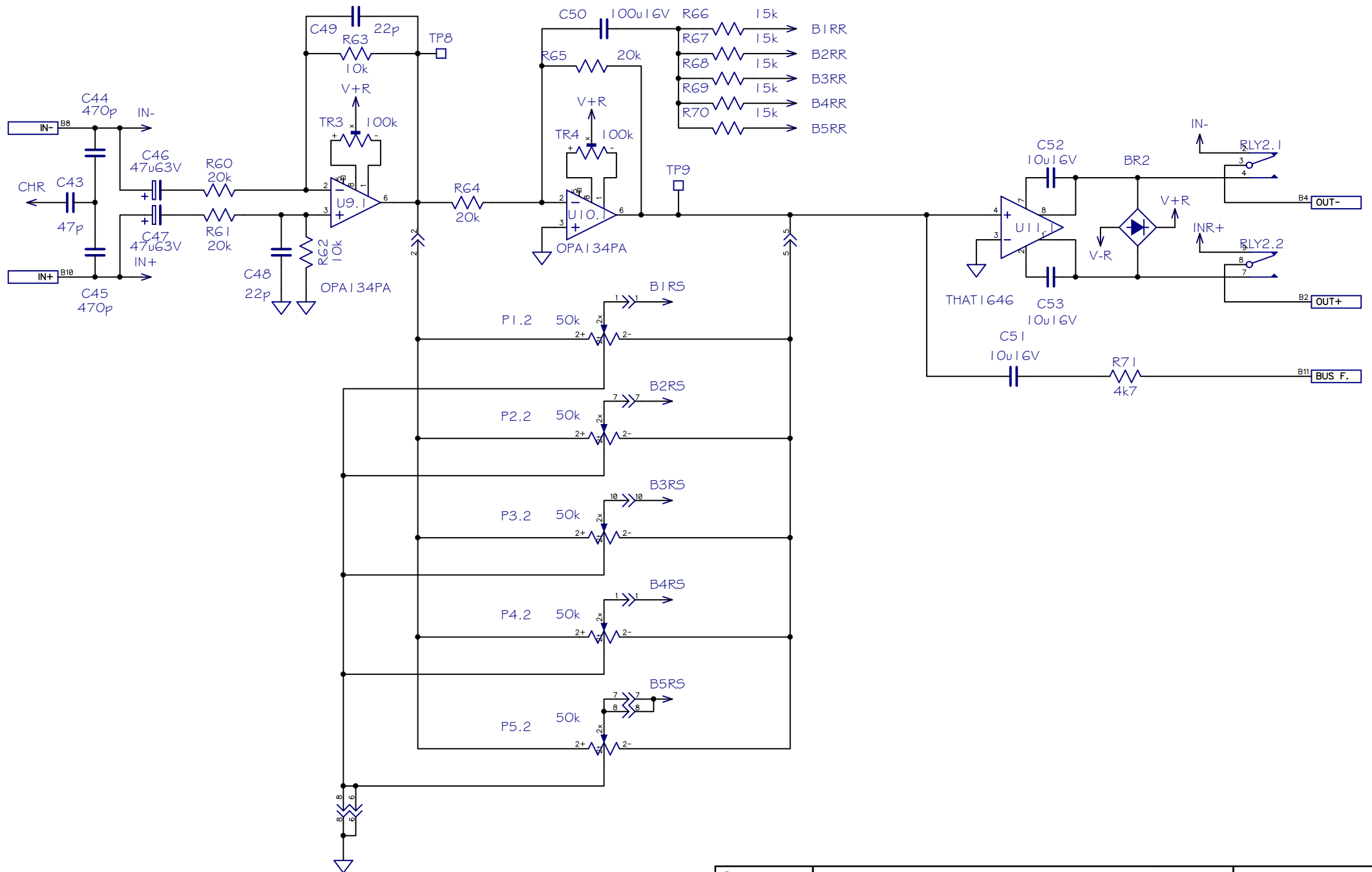
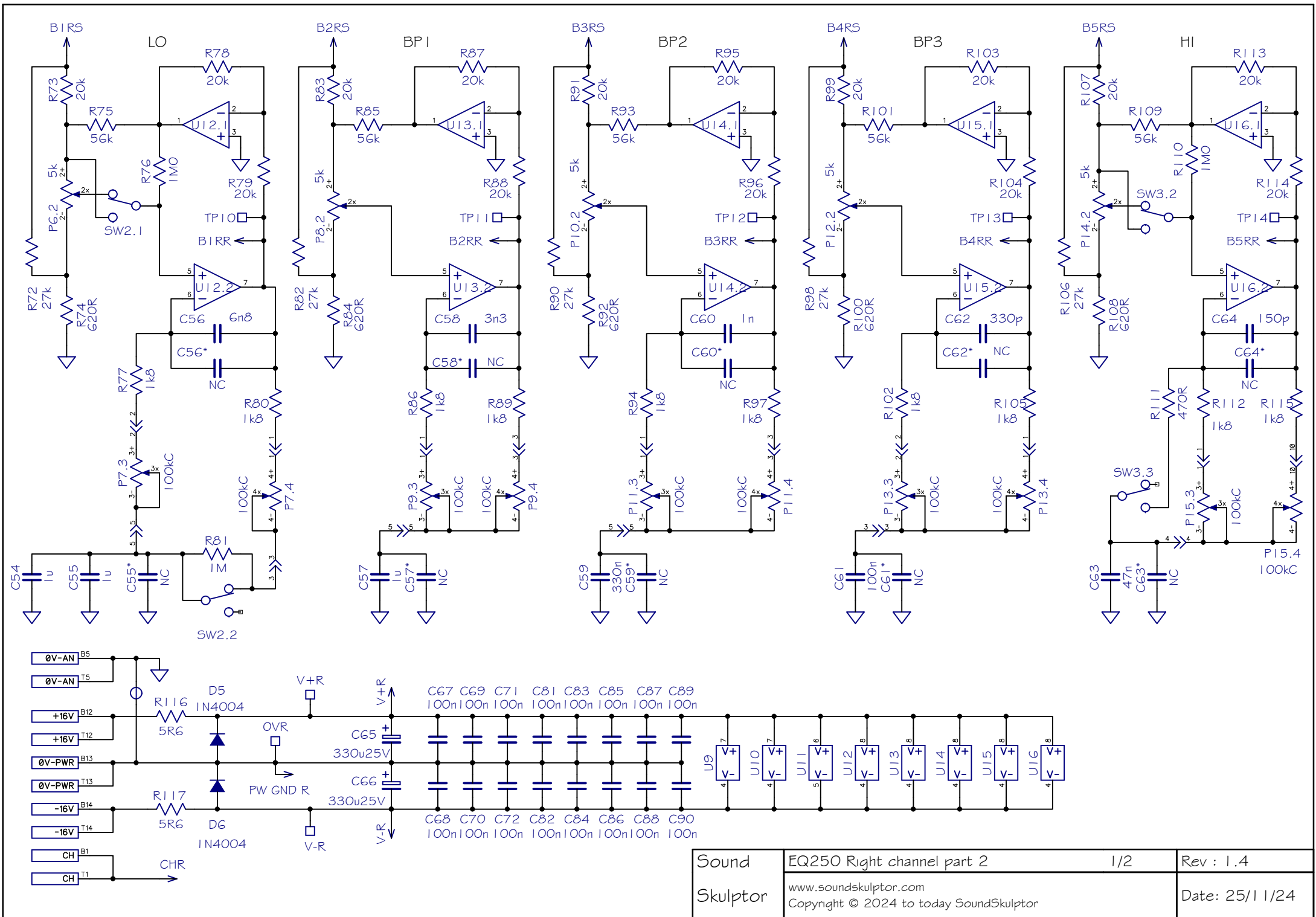


Sound	EQ250 Left channel part 1	1/2	Rev : 1.4
Skulptor	www.soundskulptor.com Copyright © 2024 to today SoundSkulptor		Date: 25/11/24





Sound	EQ250 Right channel part 1	3/4	Rev : 1.4
Skulptor	www.soundskulptor.com Copyright © 2024 to today SoundSkulptor		Date: 25/11/24



Sound	EQ250 Right channel part 2	1/2	Rev : 1.4
Skulptor	www.soundskulptor.com Copyright © 2024 to today SoundSkulptor		Date: 25/11/24