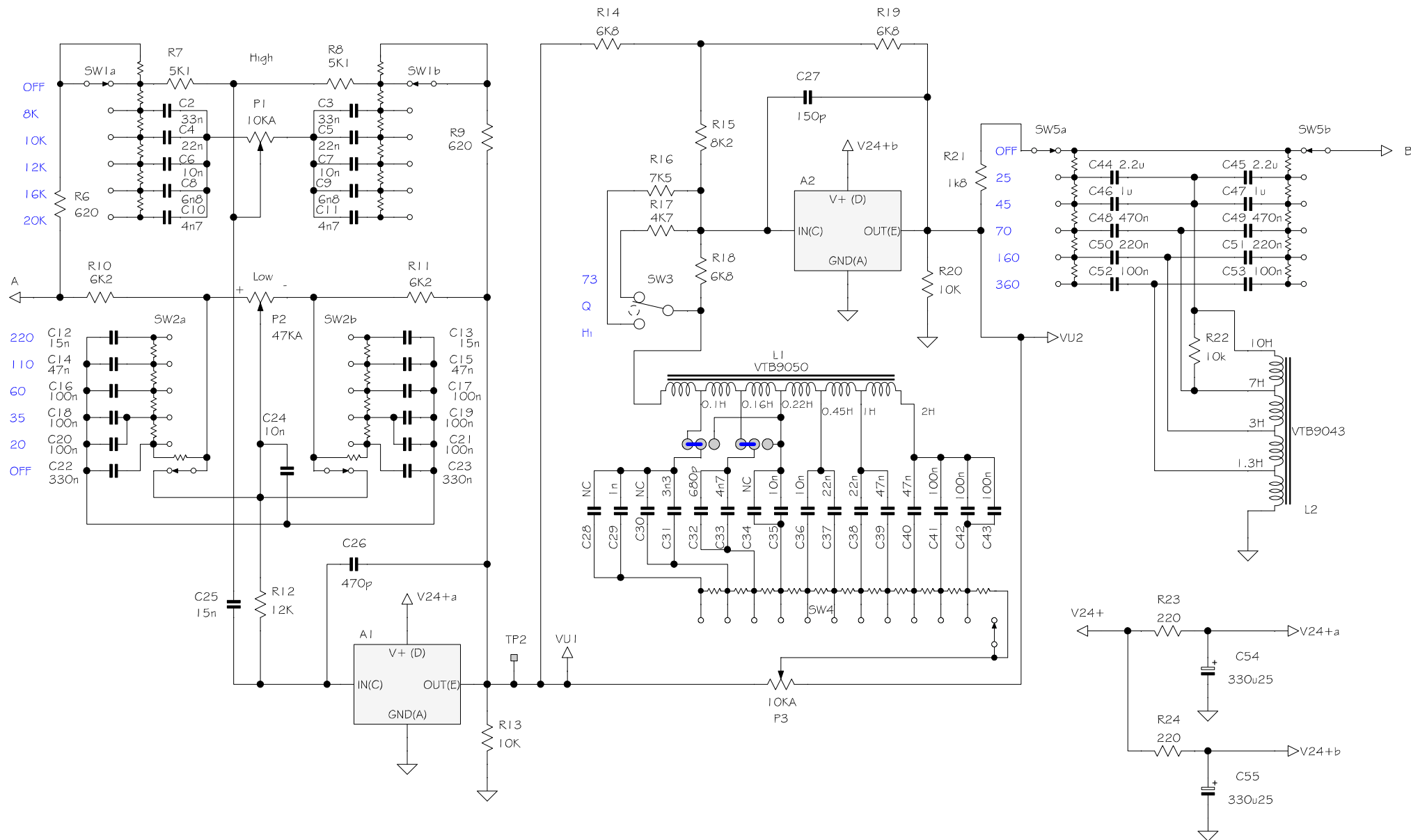
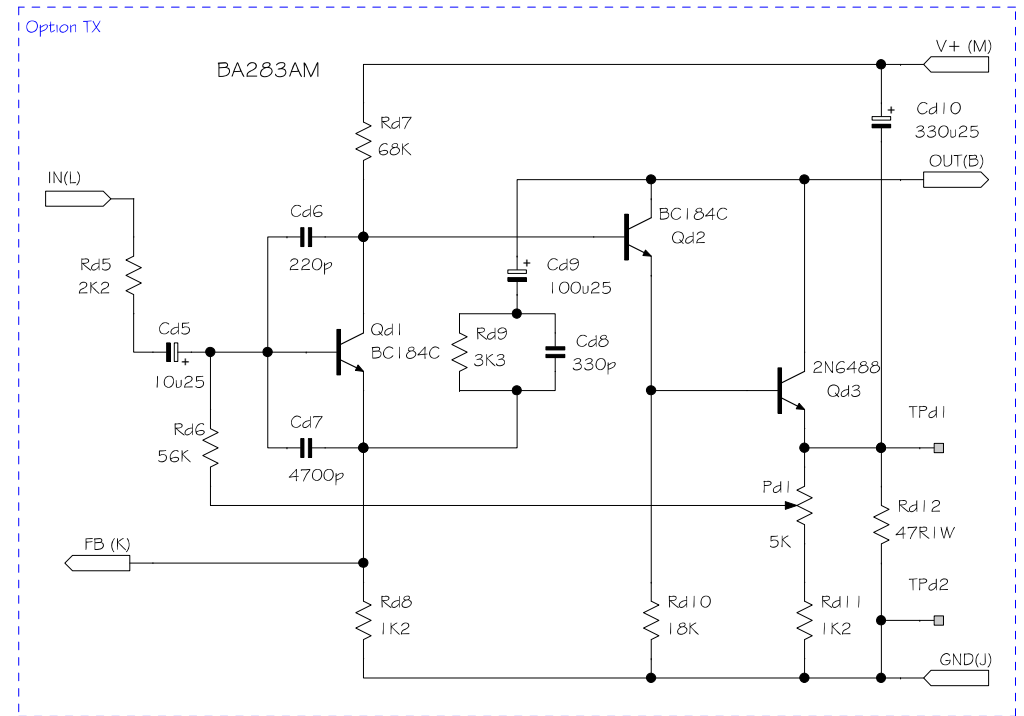
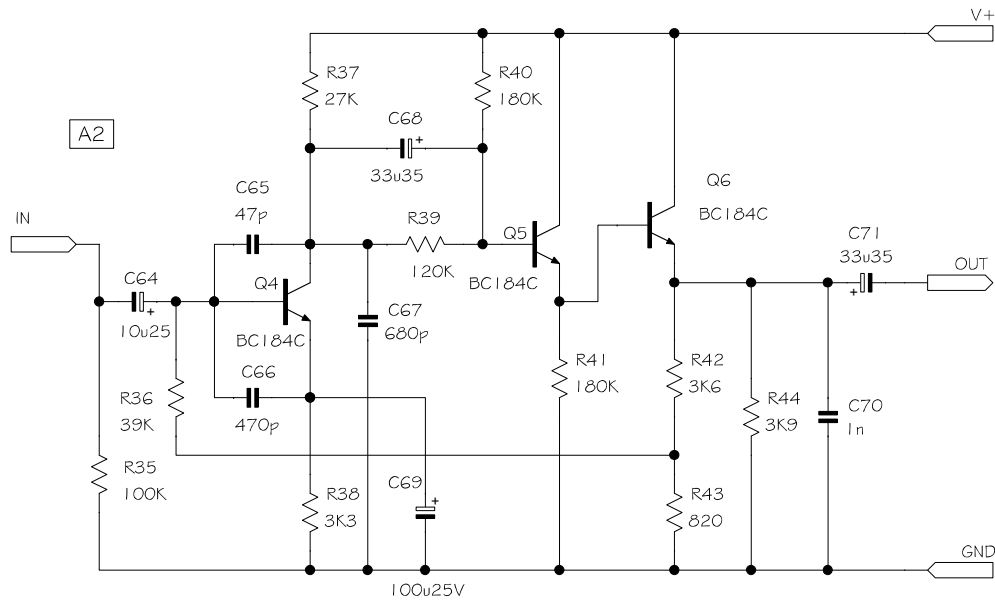
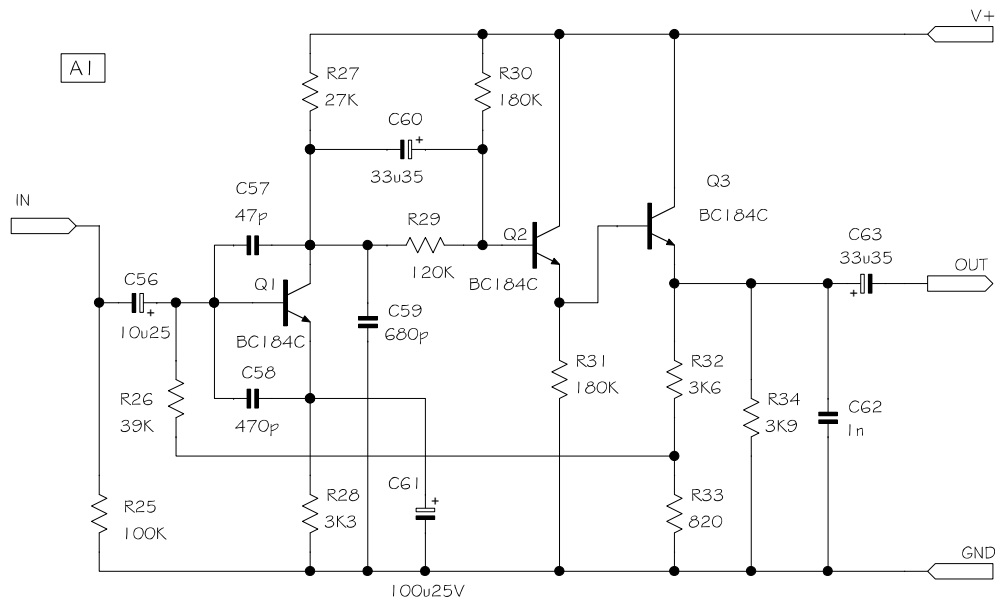


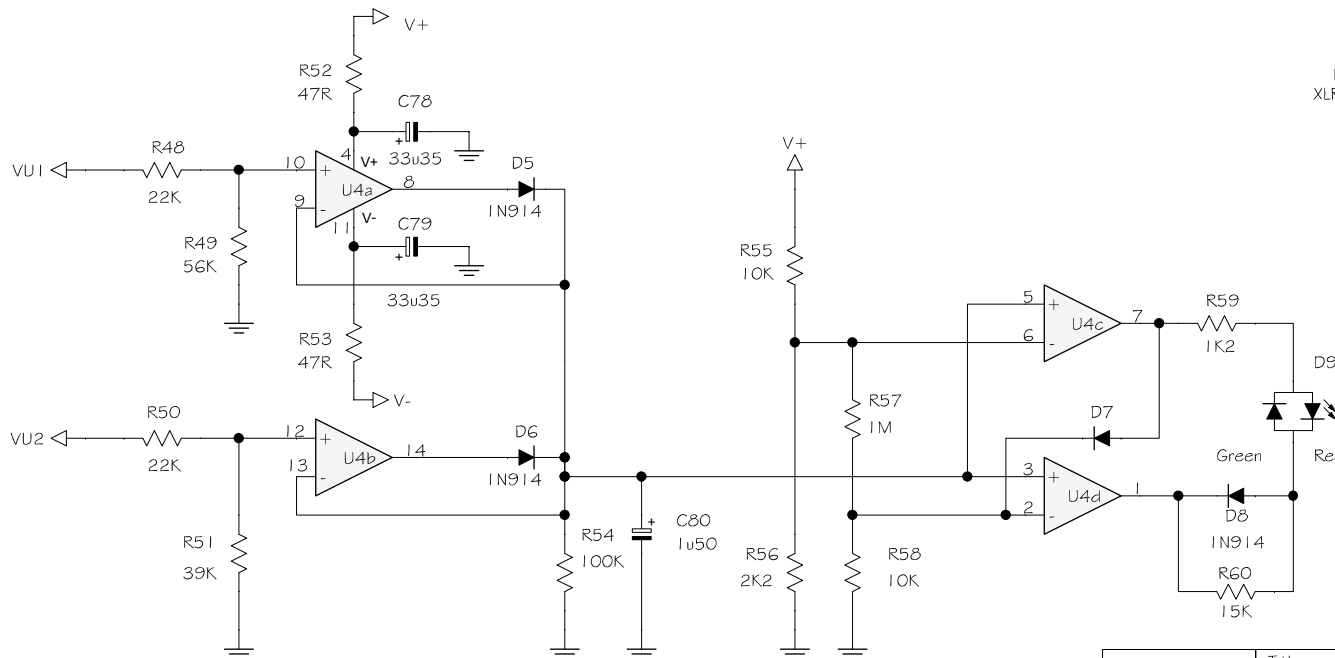
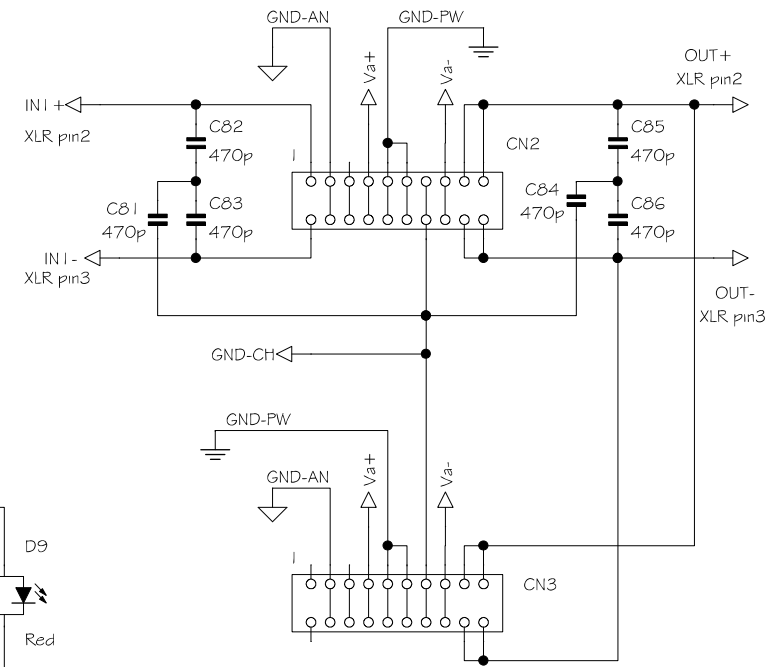
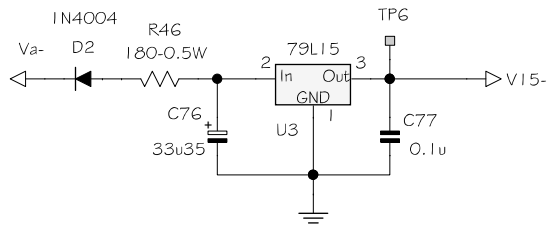
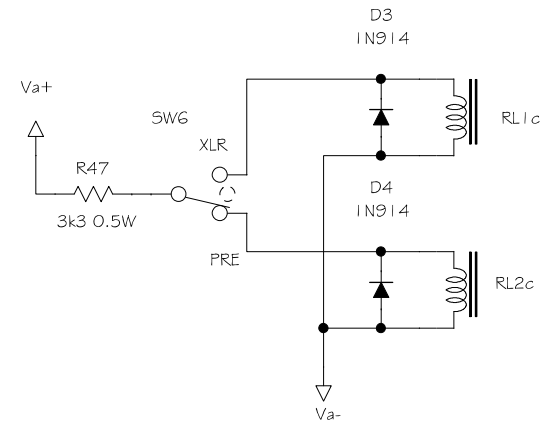
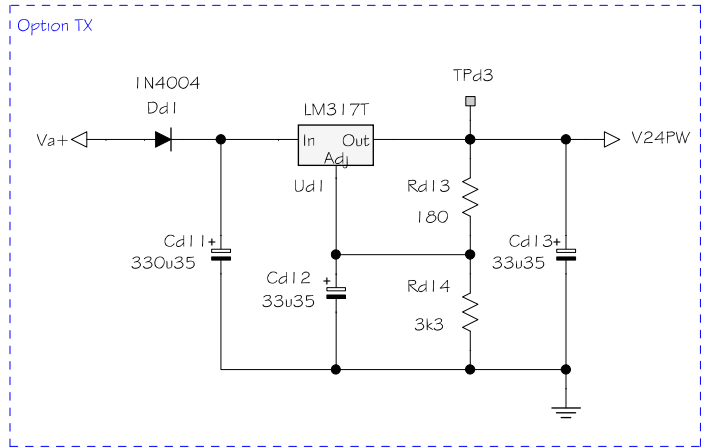
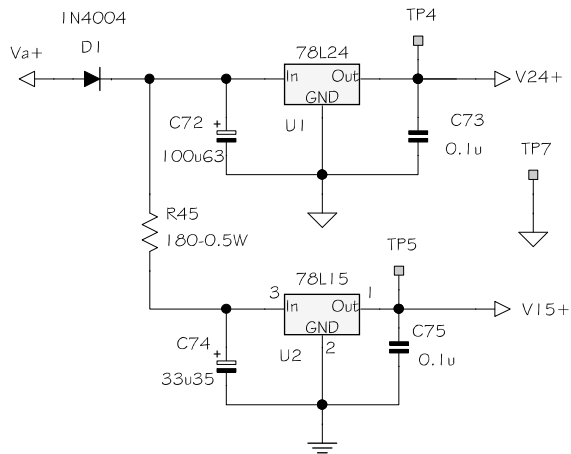
A

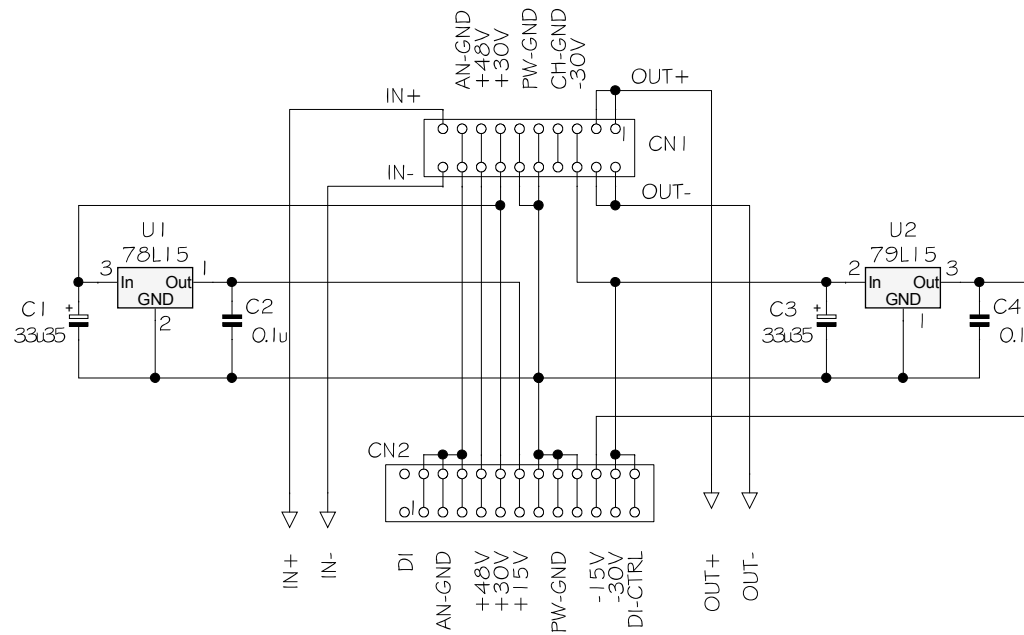
| | | |
|---------------------------|--|---------------------------------|
| Sound Skulptor | Title : EQ73 Equalizer page 1/4 | Sch Rev : 1.2 |
| | www.soundskulptor.com | PCB Rev : 1.2 |
| | Copyright ©2012 to today SoundSkulptor | Last modified : 22/06/12 |





| | | | | |
|-------------------|---------|--|-----------------|----------|
| Sound Skulptor | Title : | EQ73 Equalizer page 3/4 | Sch Rev : | 1.2 |
| | | www.soundskulptor.com | PCB Rev : | 1.2 |
| | | Copyright ©2012 to today SoundSkulptor | Last modified : | 22/06/12 |





| | | |
|-------------------|---|--------------------------|
| Sound Skulptor | Title: VI2V2 - V1 to V2 adapter | Sch Rev : 1.3 |
| | www.soundskulptor.com Copyright ©2011 -today SoundSkulptor | PCB Rev : 1.3 |
| | | Last modified : 25/06/11 |