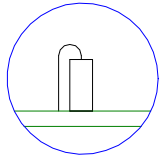
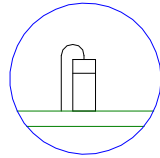


<b>SOUND SKULPTOR</b>	Title	MC642 Component Layout	Sch Rev	1.3
	www.soundskulptor.com		PCB Rev	1.3
	Copyright ©2014 Soundskulptor		Last modified	02/05/14



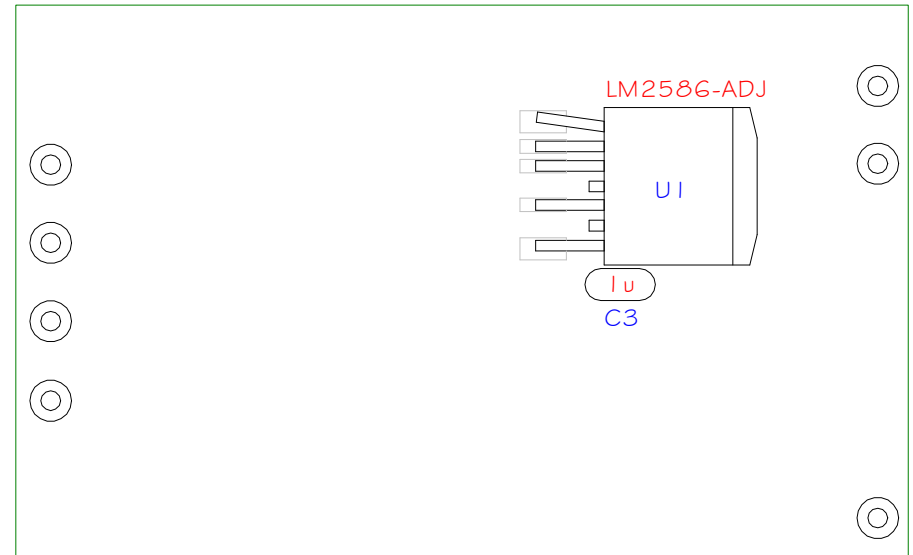
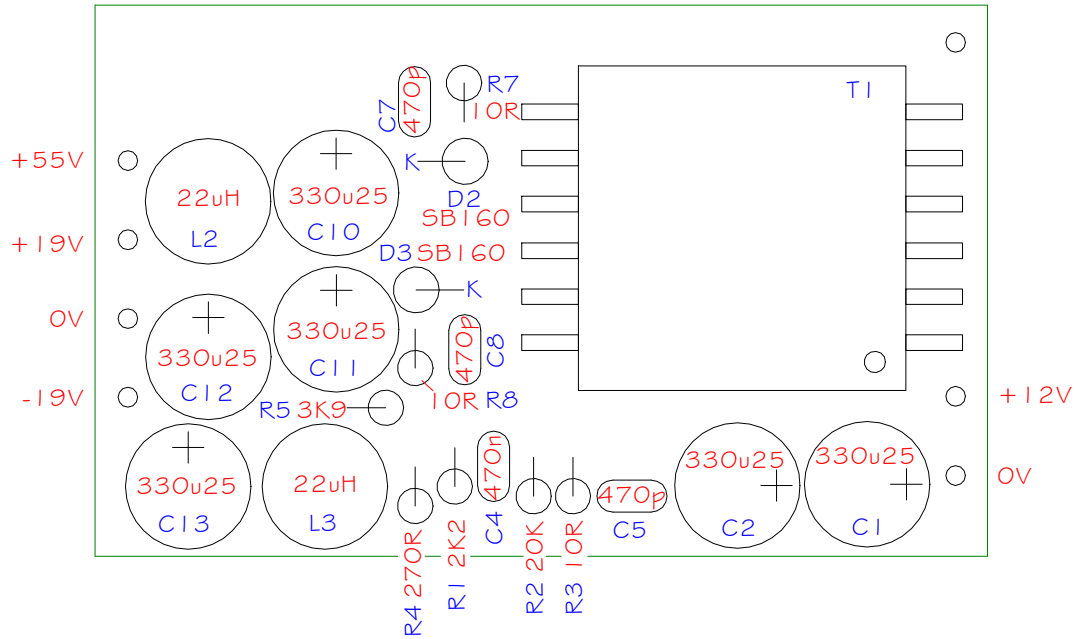
R1...R8

TOP



D2, D3

BOTTOM



<b>SOUND SKULPTOR</b>	Title	SWITCHER-2 Component Layout	Sch Rev	1.2
	www.soundskulptor.com Copyright ©2014 to today Soundskulptor		PCB Rev	1.2
			Last modified	17/09/14