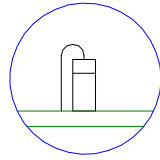


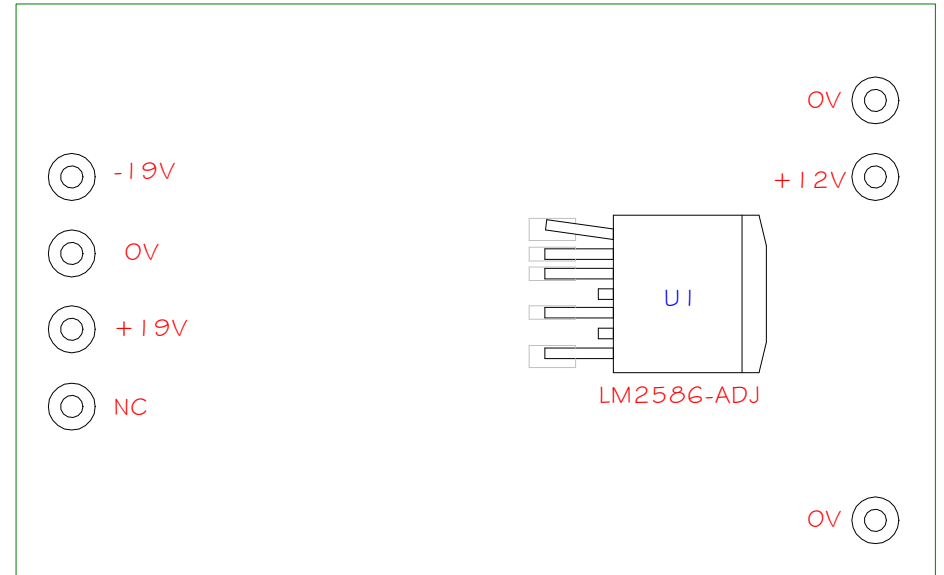
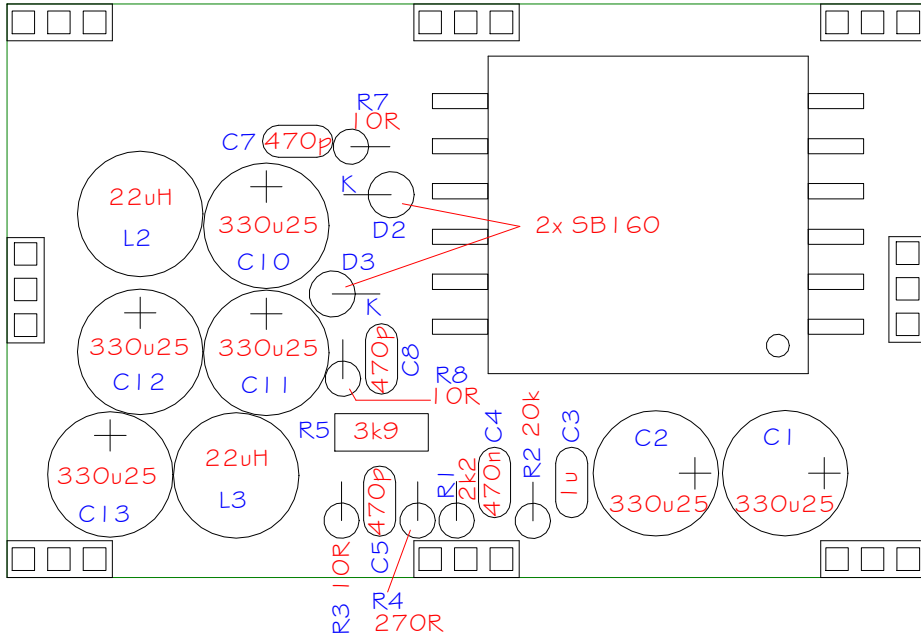
R1...R4, R7...R8, L1

TOP



D2, D3

BOTTOM



SOUND SKULPTOR	Title	SWITCHER2 Component Layout	Sch Rev	1.3
		www.soundskulptor.com	PCB Rev	1.4
		Copyright ©2015 to today Soundskulptor	Last modified	16/04/15