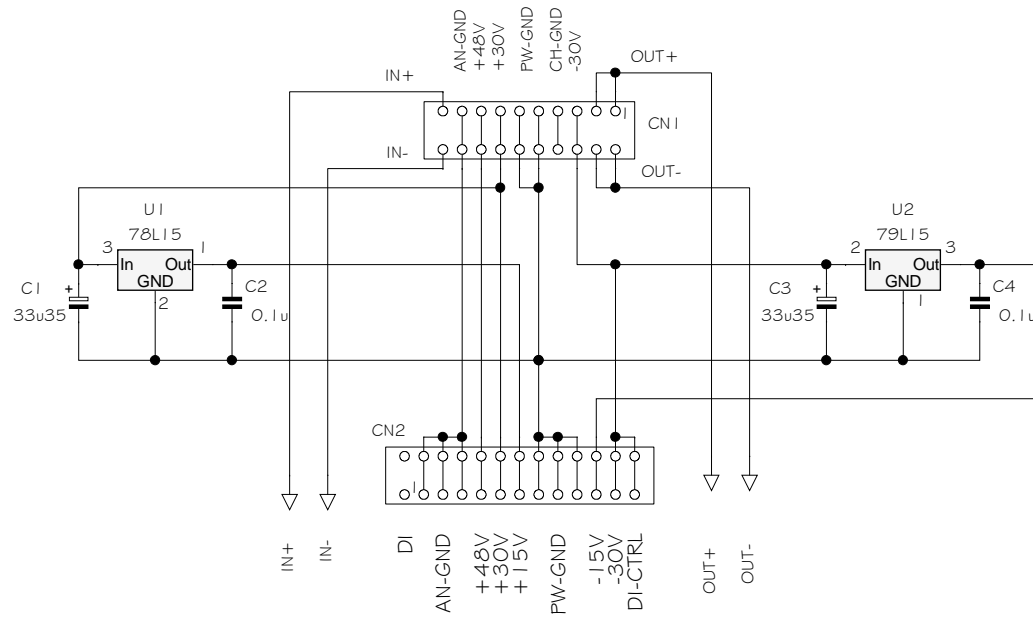


Sound Skulptor	Title : MP12 micpre page 1/2	Sch Rev : 1.2
	www.soundskulptor.com	PCB Rev : 1.2
	Copyright ©2007 SoundSkulptor	Last modified : 28/09/07



Sound Skulptor	Title : VI2V2 - V1 to V2 adapter	Sch Rev : 1.3
	www.soundskulptor.com Copyright ©2011 -today SoundSkulptor	PCB Rev : 1.3
		Last modified : 25/06/11