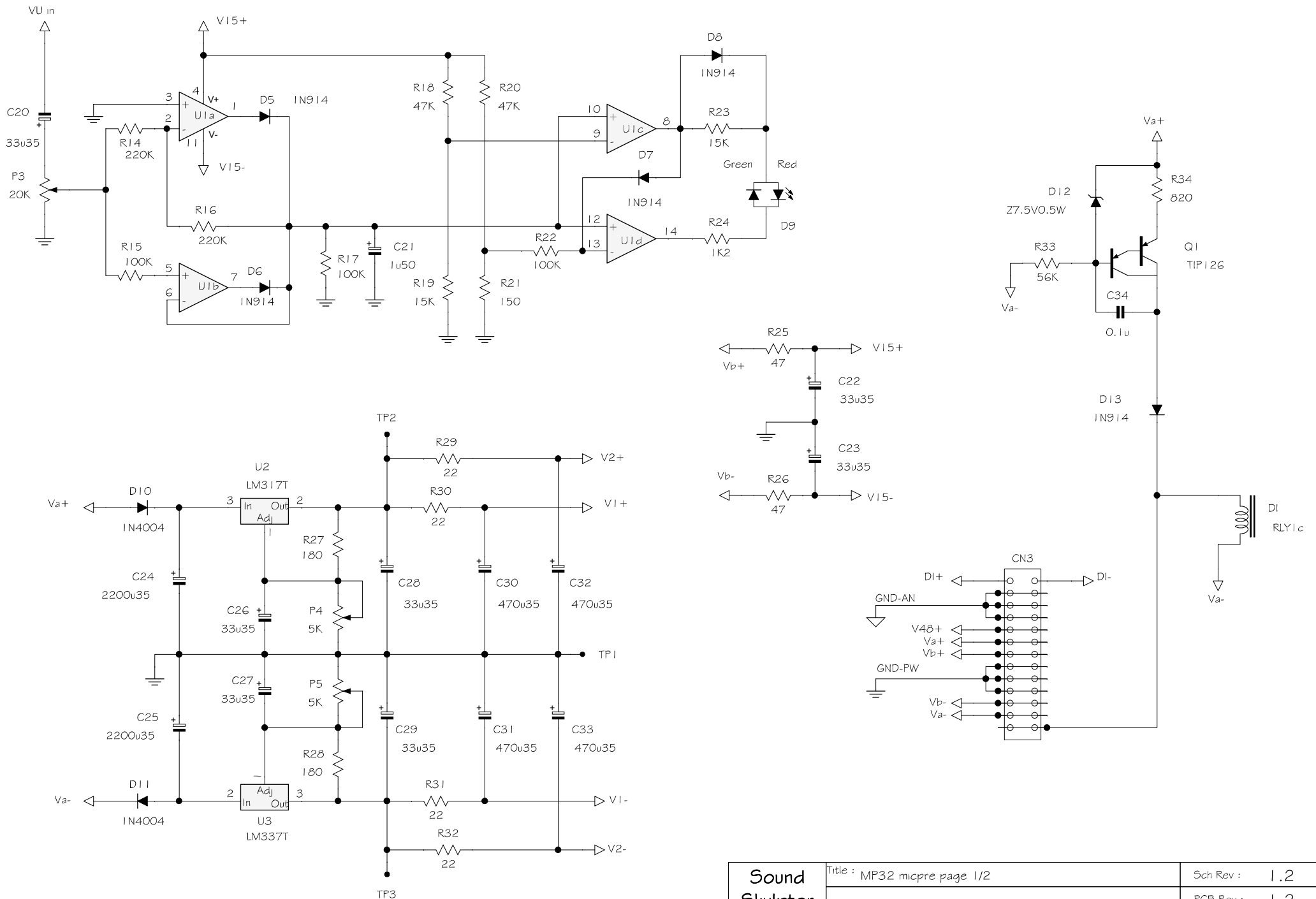


\* C14, C15 not connected with 5K47

RL1 should be omitted if the micpre drives low impedance devices ( $Z_{in} < 1K$ ).

<b>Sound Skulptor</b>	Title : MP32 micpre page 1/2	Sch Rev : 1.2
	www.soundskulptor.com	PCB Rev : 1.2
	Copyright ©2007 SoundSkulptor	Last modified : 03/10/07



Sound Skulptor

Title : MP32 micpre page 1/2

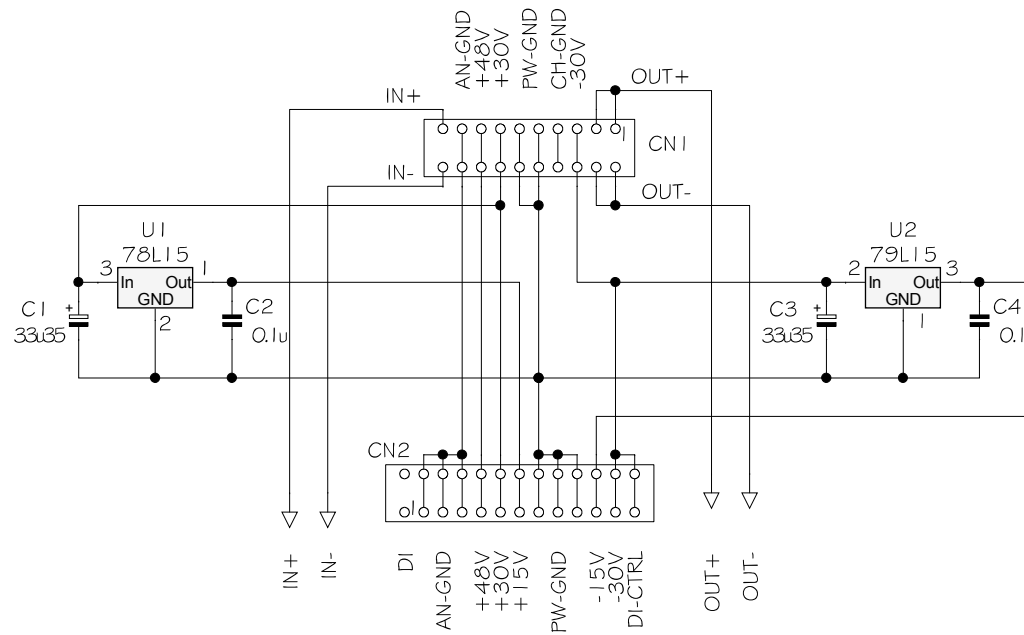
www.soundskulptor.com

Copyright ©2007 SoundSkulptor

Sch Rev : 1.2

PCB Rev : 1.2

Last modified : 03/10/07



Sound Skulptor	Title: VI2V2 - V1 to V2 adapter	Sch Rev : 1.3
	www.soundskulptor.com Copyright ©2011 -today SoundSkulptor	PCB Rev : 1.3
		Last modified : 25/06/11