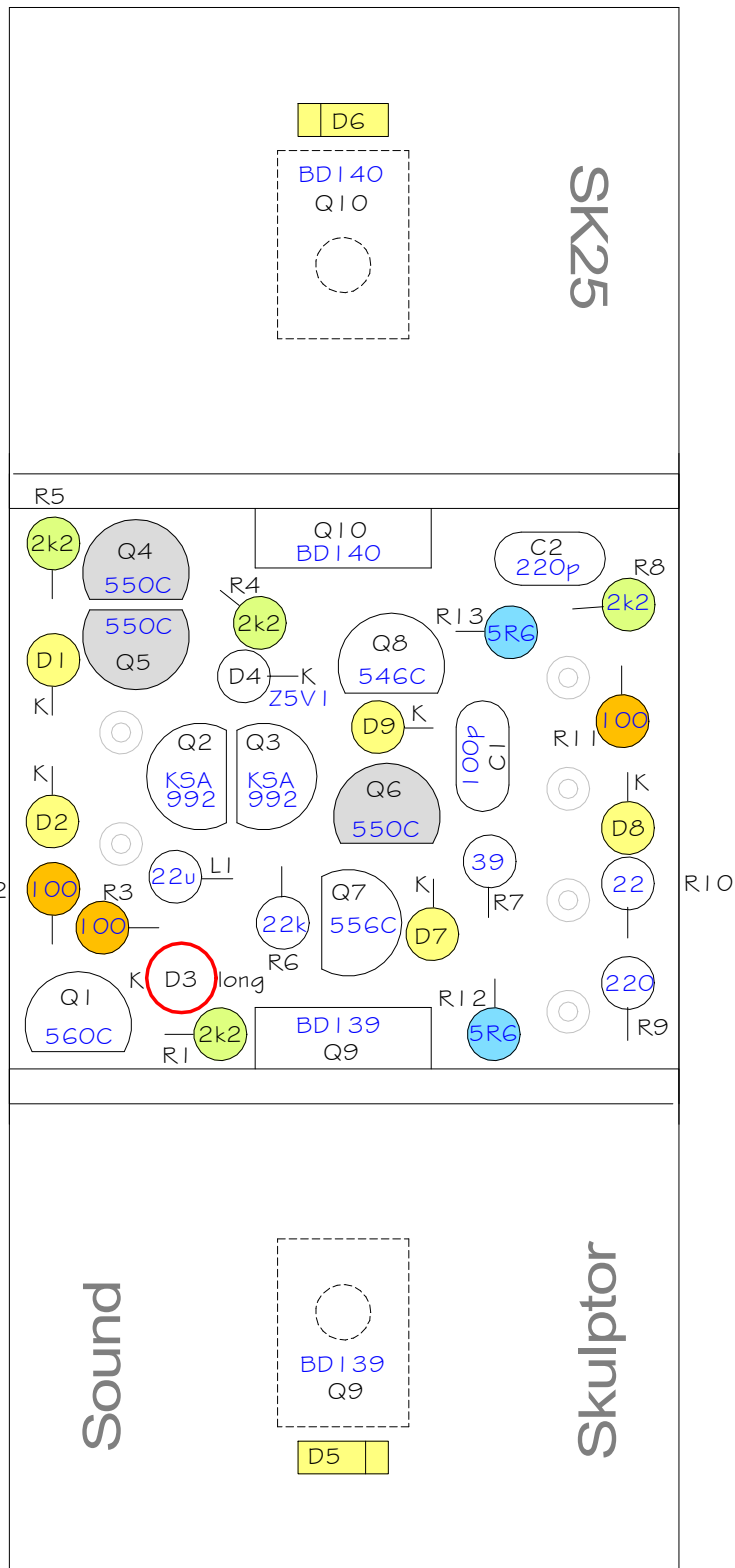


Sound Skulptor	Title: MP512 - Layout	Sch Rev: 1.6
		Last modified: 28/04/2020



D1, D2, D5..D9= 1N914

SOUND SKULPTOR	Title	SK25 Component Layout	Sch Rev	1.2
	www.soundskulptor.com Copyright ©2007 to today Soundskulptor		PCB Rev	1.2
			Last modified	08/04/16