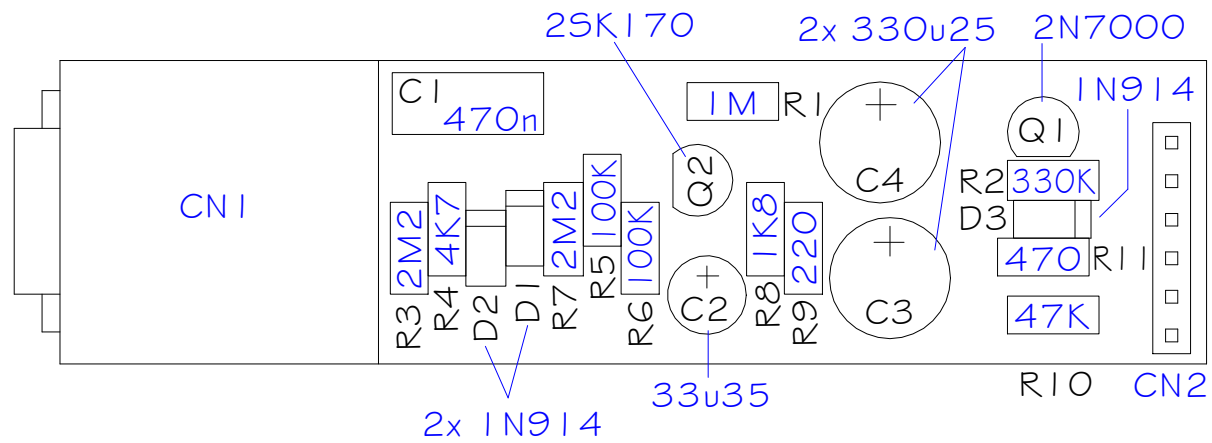


<b>SOUND SKULPTOR</b>	Title	MP573 Component Layout	Sch Rev	1.4
	www.soundskulptor.com Copyright ©2010 Soundskulptor		PCB Rev	1.4
			Last modified	11/06/14



<b>SOUND SKULPTOR</b>	Title	DiO1 Component Layout	Sch Rev	1.2
	www.soundskulptor.com Copyright ©2010 Soundskulptor		PCB Rev	1.2
			Last modified	04/07/10