

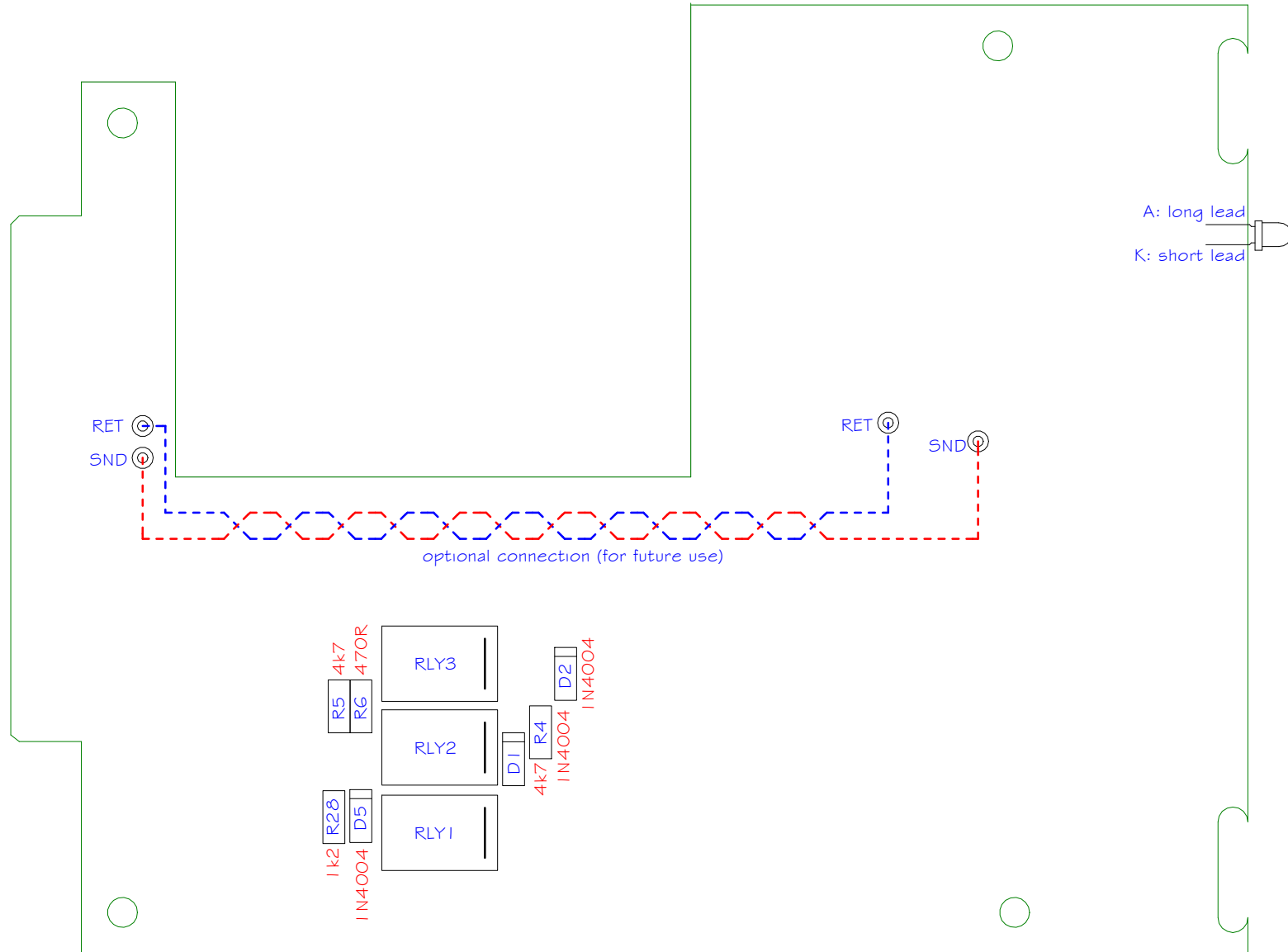
Q1...Q5 : 5x BC550C

tant 10u25
tant 22u16

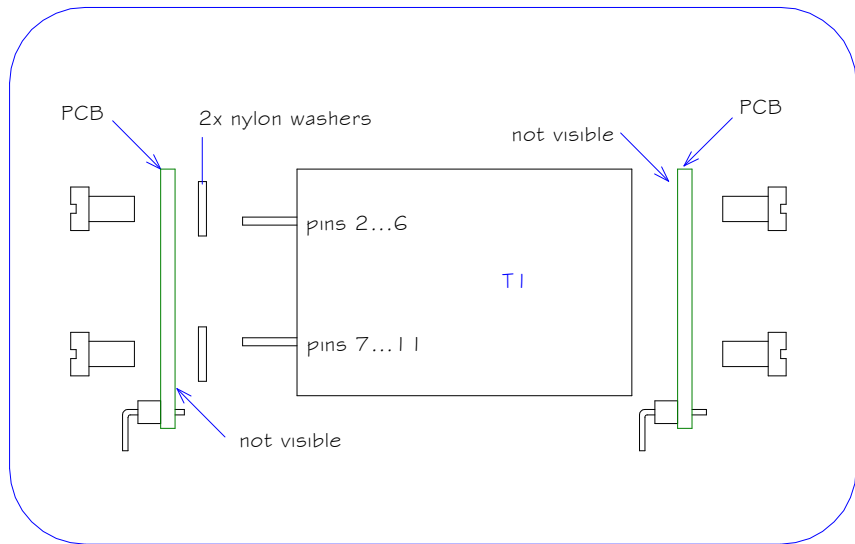
D6...D9: 1N914

6k8-0.1%
6k8-0.1%

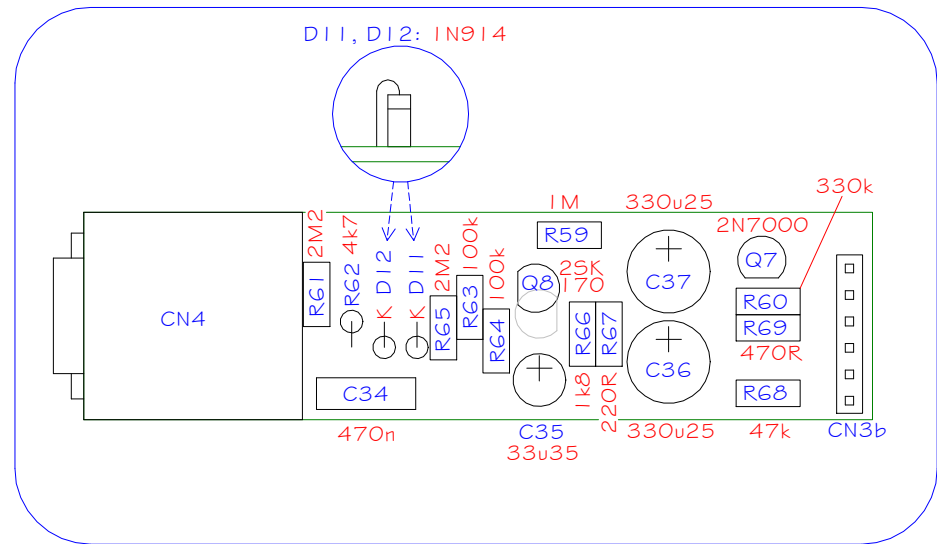
SOUND SKULPTOR	Title	MP573 Component Layout - Top side	Sch Rev	2.1
	www.soundskulptor.com Copyright ©2015 Soundskulptor		PCB Rev	2.2
			Last modified	17/11/15



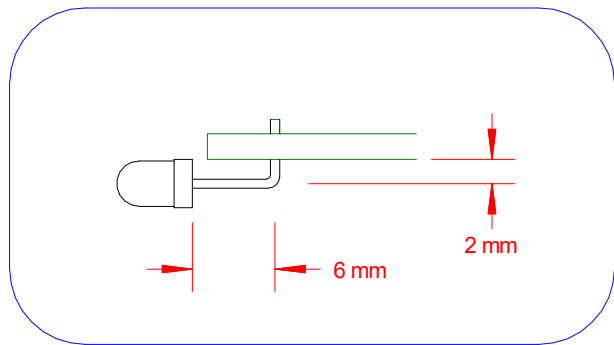
SOUND SKULPTOR	Title	MP573 Component Layout - Bottom side	Sch Rev	2.1
	www.soundskulptor.com Copyright ©2015 Soundskulptor		PCB Rev	2.2
			Last modified	17/11/15



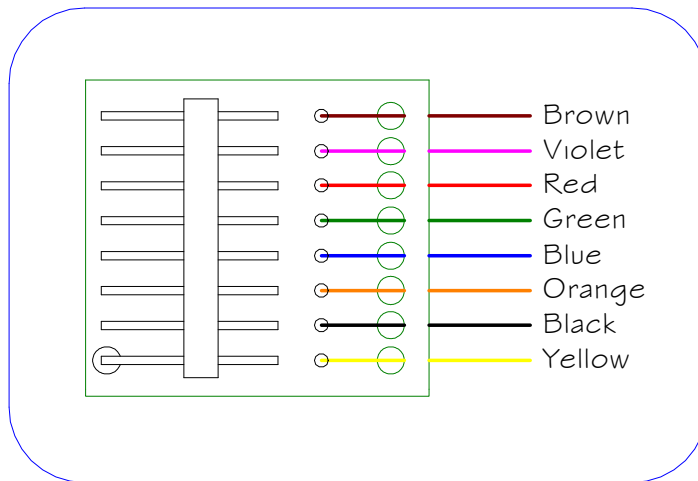
input transformer assembly



DI assembly



LED bending



Output transformer connector

SOUND SKULPTOR	Title MP573 Component Layout - Other parts	Sch Rev 2.1
	www.soundskulptor.com Copyright ©2015 Soundskulptor	PCB Rev 2.2
		Last modified 17/11/15