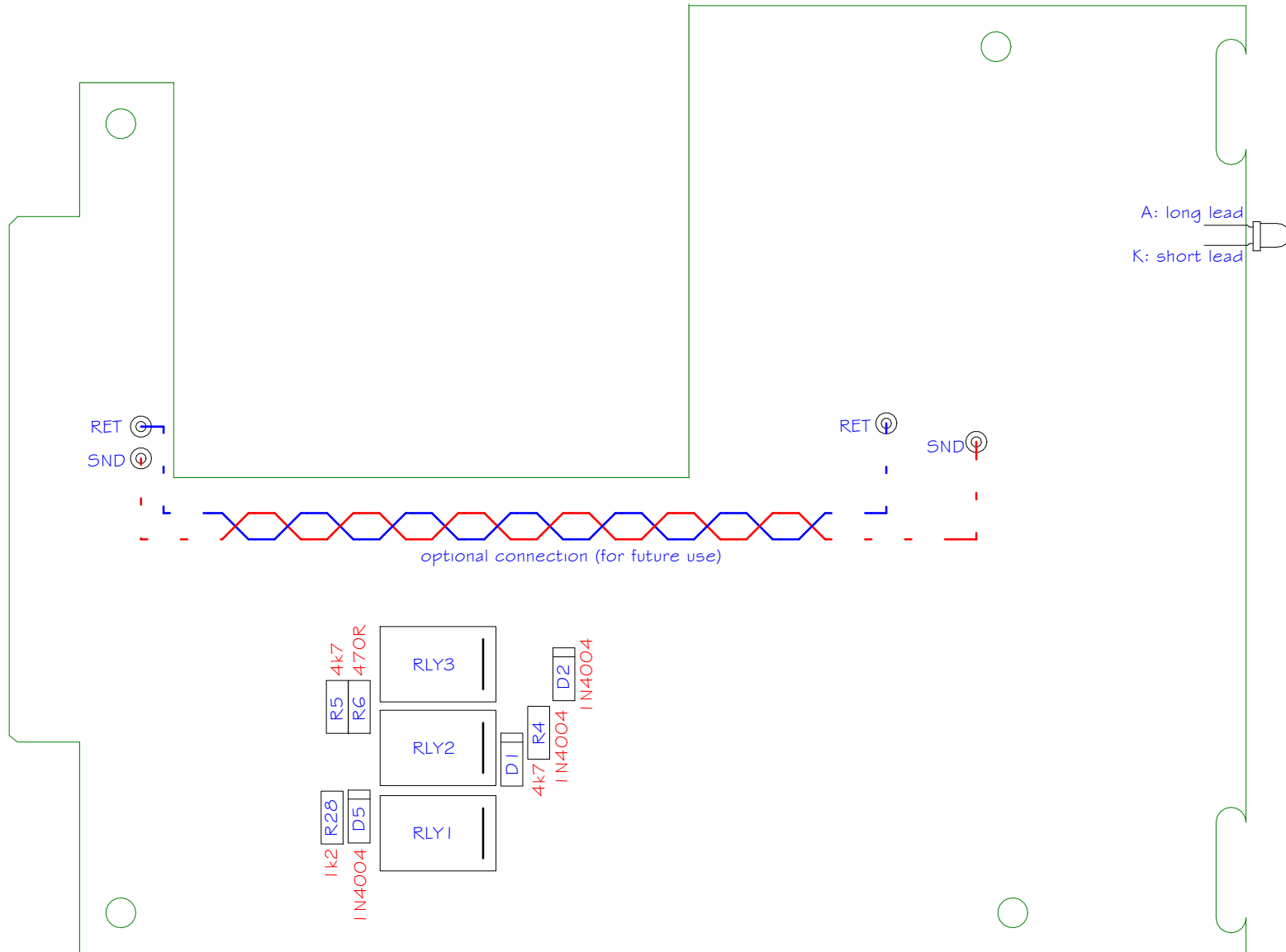


Q1...Q5 : 5x BC550C

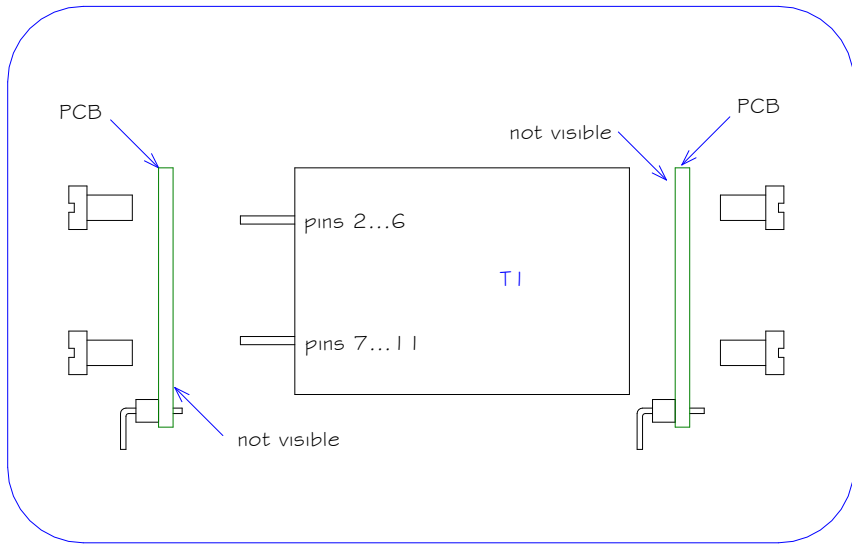
D6...D9: 1N914

6k8-0.1%
6k8-0.1%

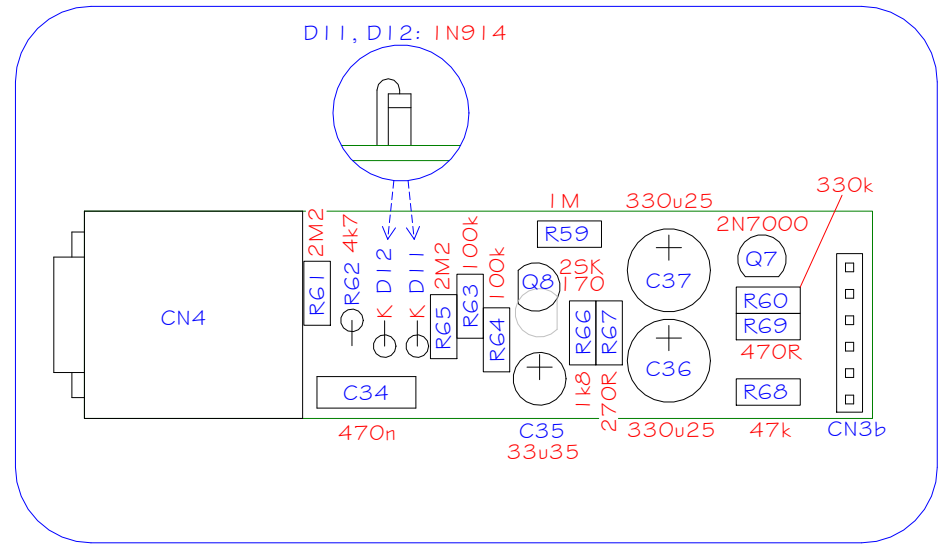
| | | | | |
|-----------------------|--|-----------------------------------|---------------|----------|
| SOUND SKULPTOR | Title | MP573 Component Layout - Top side | Sch Rev | 2.2 |
| | www.soundskulptor.com Copyright ©2015 Soundskulptor | | PCB Rev | 2.2 |
| | | | Last modified | 21/08/17 |



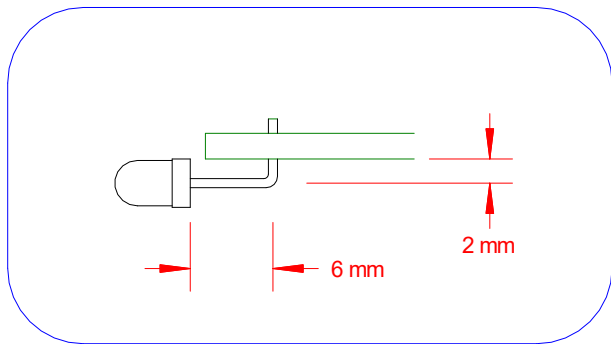
| | | | | |
|---------------------------|--|--------------------------------------|---------------|----------|
| SOUND SKULPTOR | Title | MP573 Component Layout - Bottom side | Sch Rev | 2.2 |
| | www.soundskulptor.com Copyright ©2015 Soundskulptor | | PCB Rev | 2.2 |
| | | | Last modified | 21/08/17 |



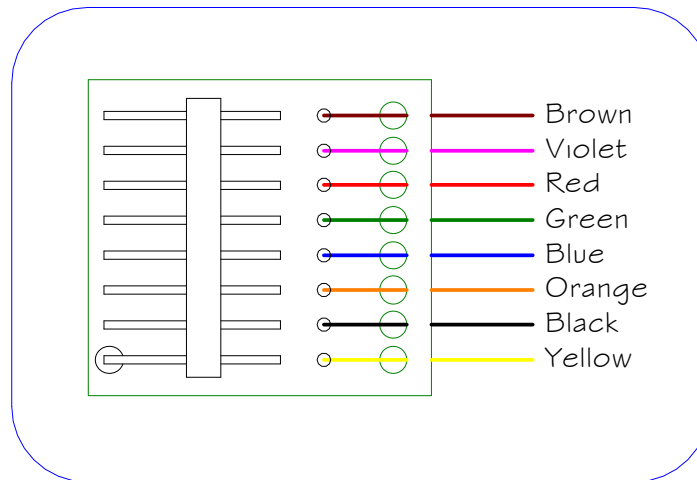
input transformer assembly



DI assembly



LED bending



Output transformer connector

| | | | | |
|-----------------------|---|--------------------------------------|---------------|----------|
| SOUND SKULPTOR | Title | MP573 Component Layout - Other parts | Sch Rev | 2.2 |
| | www.soundskulptor.com Copyright ©2015 Soundskulptor | | PCB Rev | 2.2 |
| | | | Last modified | 21/08/17 |