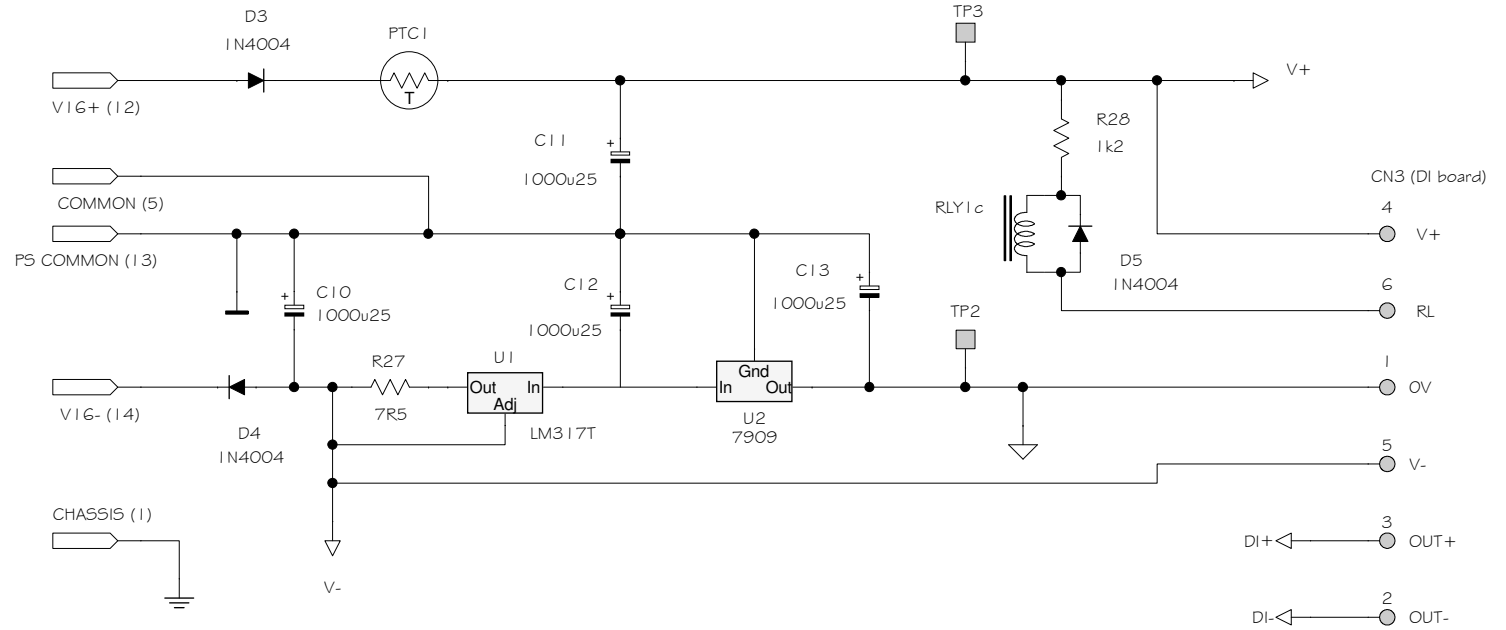
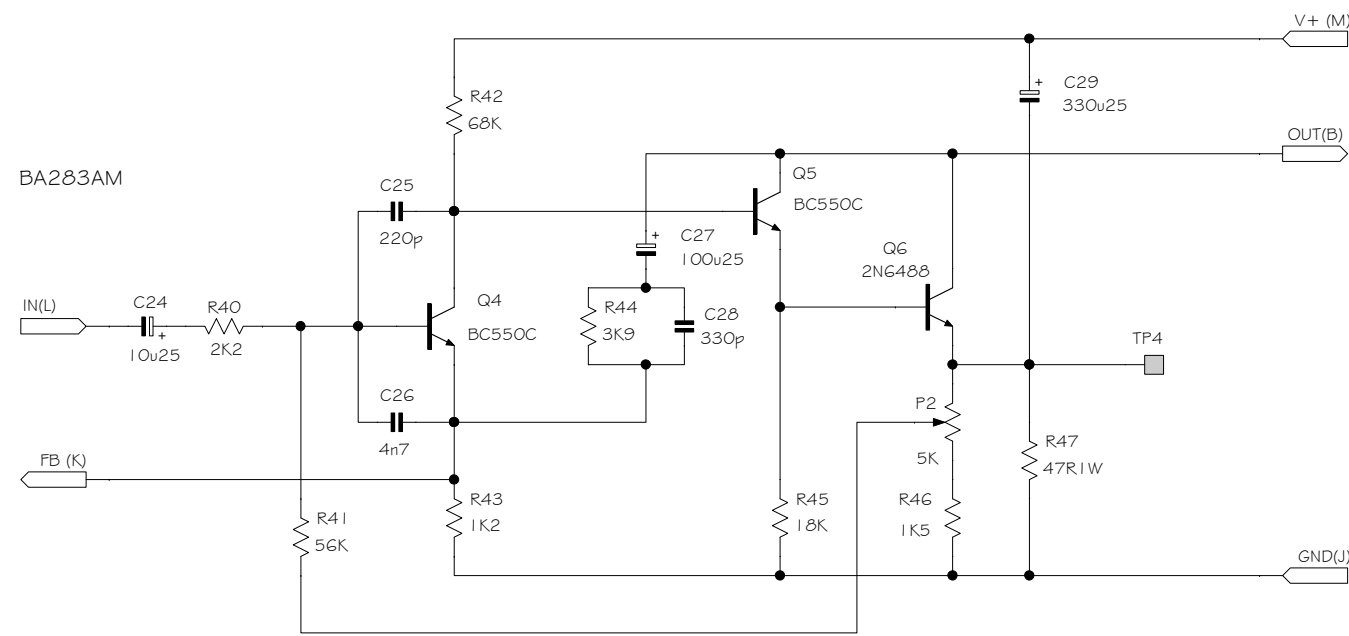
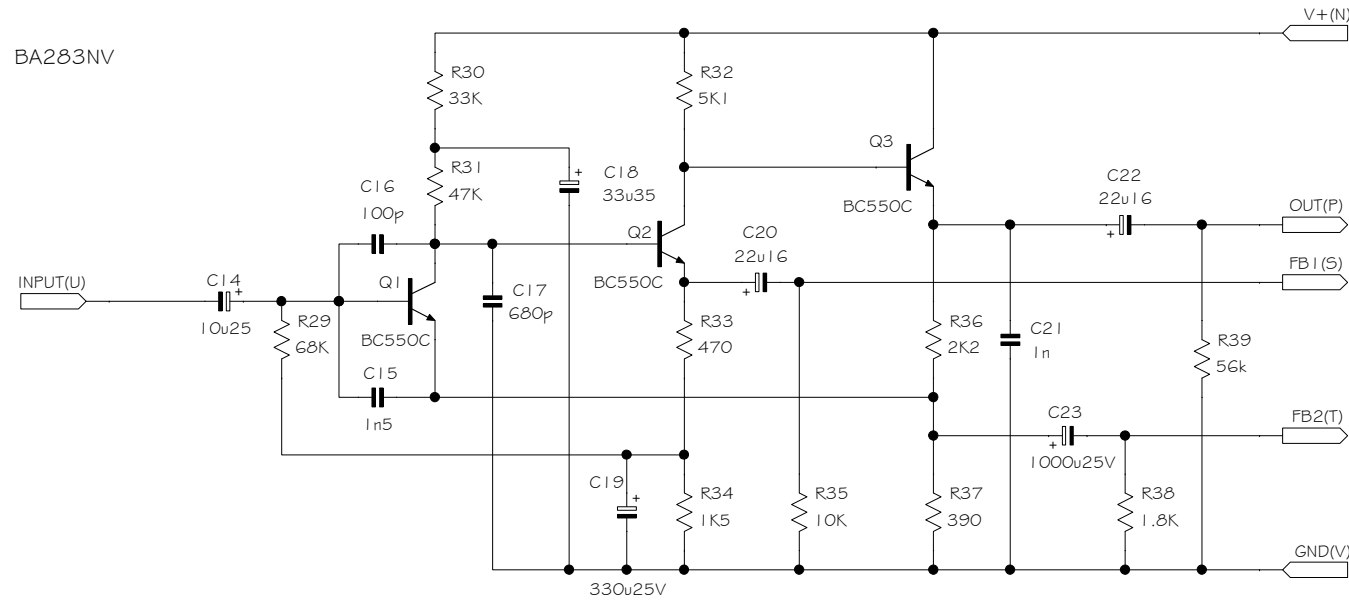
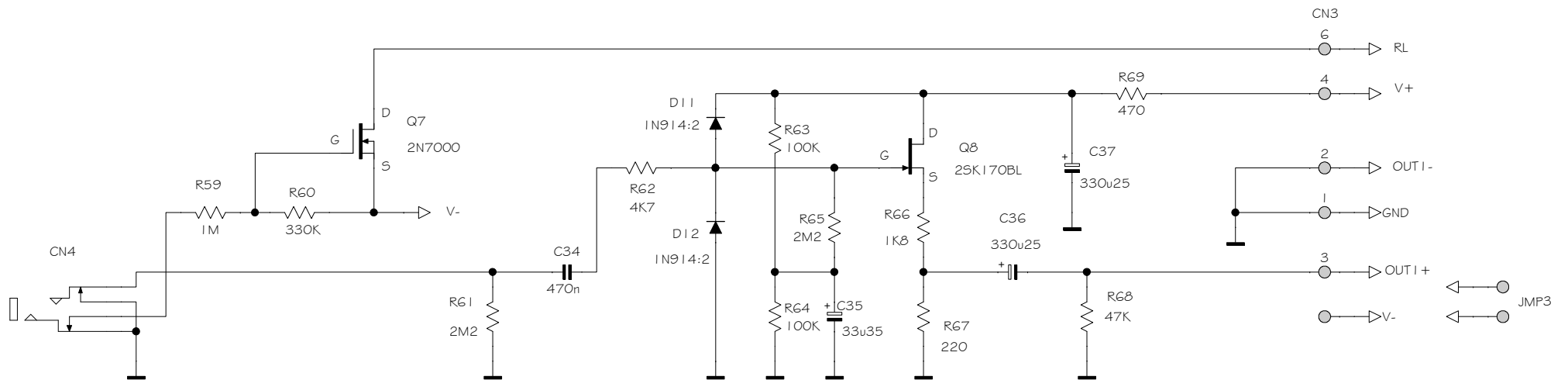
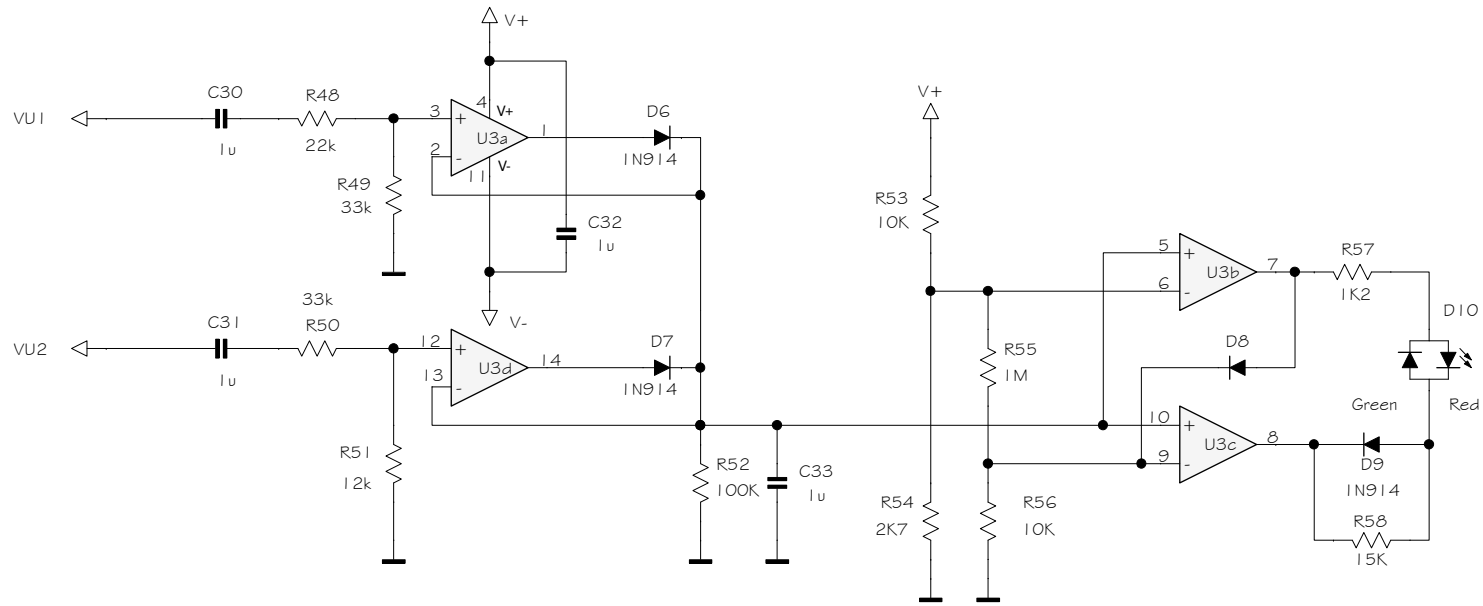


R22 should be omitted if the micpre drives low impedance devices ($Z_{in} < 1K$).







Sound
Skulptor

Title : MP73 micpre page 4/4

www.soundskulptor.com
Copyright ©2014 SoundSkulptor

Sch Rev : 2.1

Last modified : 17/11/15