

Sound  
Skulptor

Title: MP599 - Layout

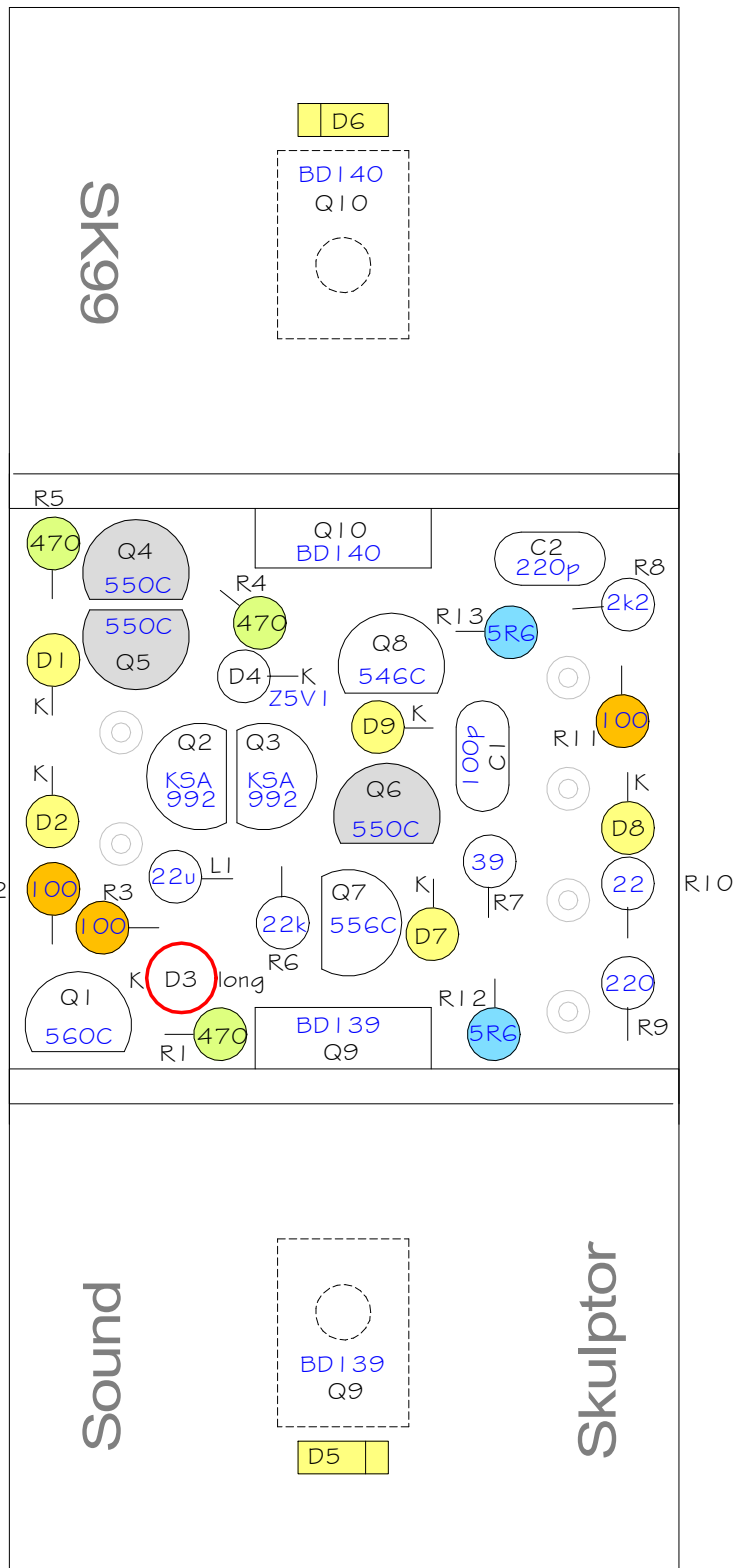
www.soundskulptor.com

copyright © 2013 to today Soundskulptor

Sch Rev: 1.6

PCB Rev: 1.6

Last modified: 10/09/2019



D1, D2, D5..D9= 1N914

SOUND SKULPTOR	Title	SK99 Component Layout	Sch Rev	1.2
	www.soundskulptor.com Copyright ©2007 to today Soundskulptor		PCB Rev	1.2
			Last modified	10/09/16