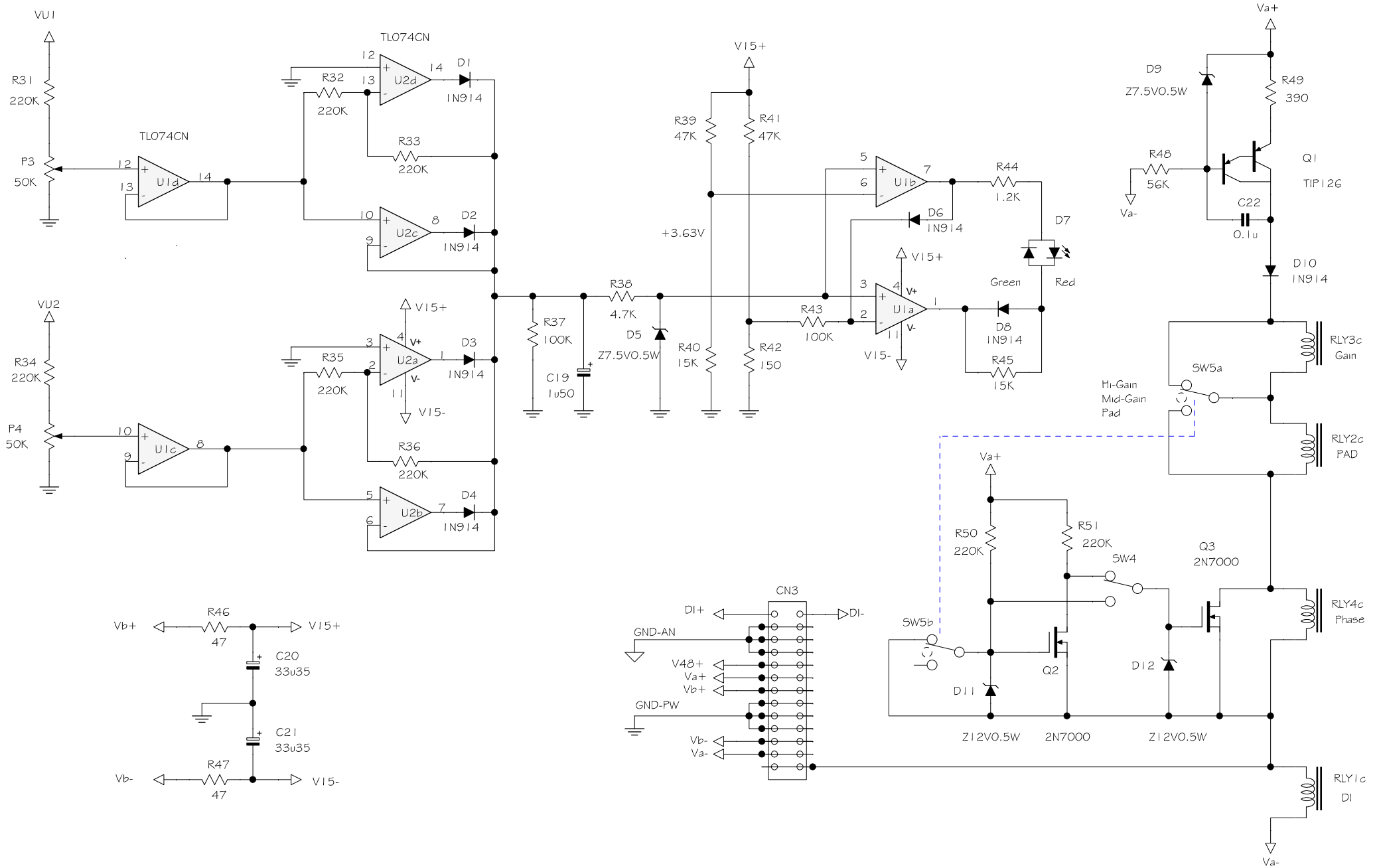
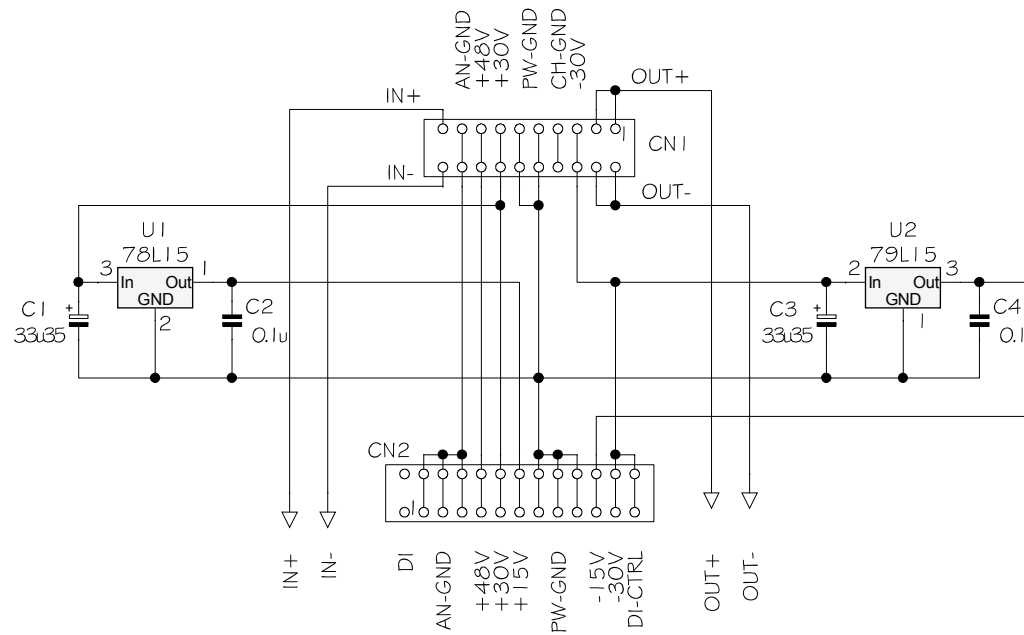


Sound Skulptor	Title : MP66 micpre page 2/4	Sch Rev : 1.3
	www.soundskulptor.com Copyright ©2007 SoundSkulptor	
	Last modified : 24/10/08	





Sound Skulptor	Title: VI2V2 - V1 to V2 adapter	Sch Rev : 1.3
	www.soundskulptor.com Copyright ©2011 -today SoundSkulptor	
	PCB Rev : 1.3 Last modified : 25/06/11	