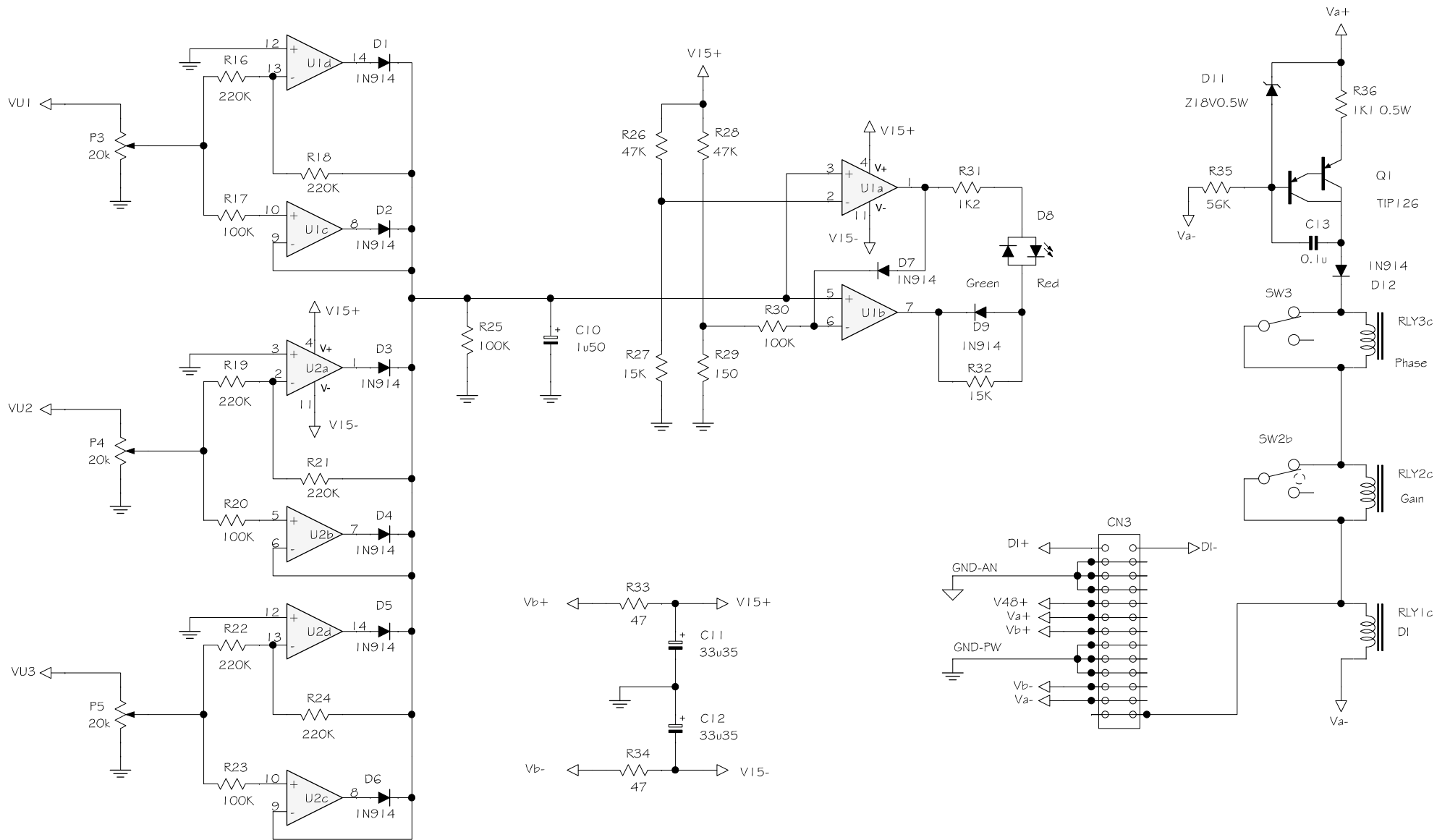
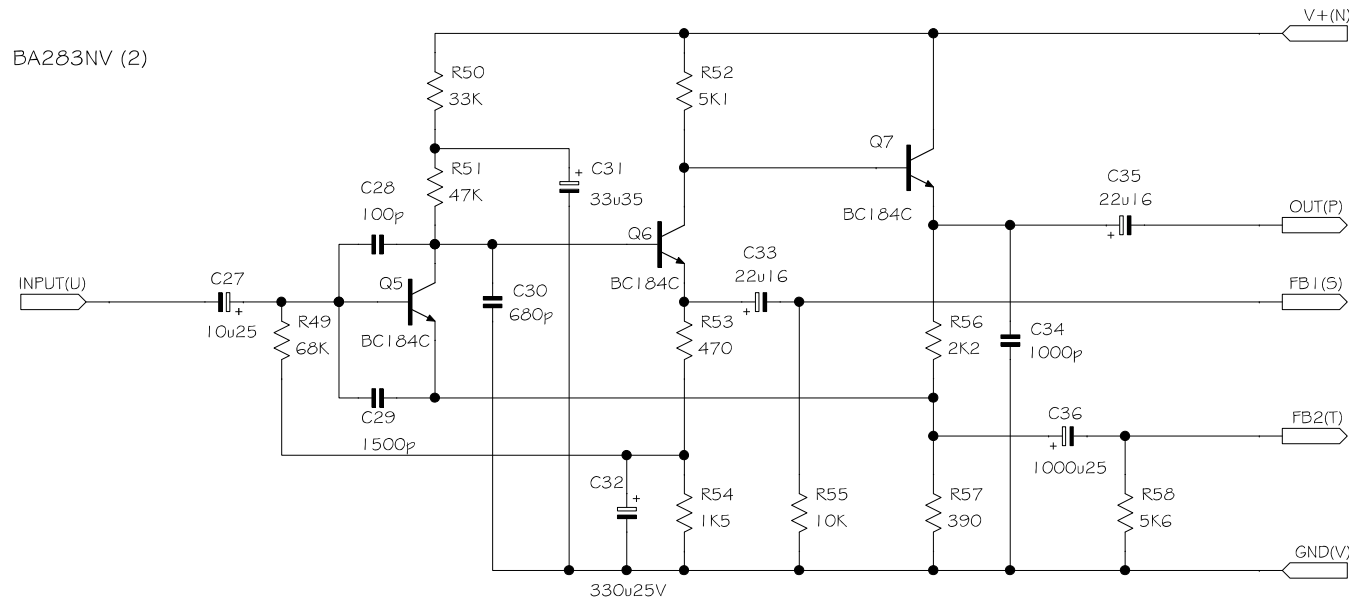
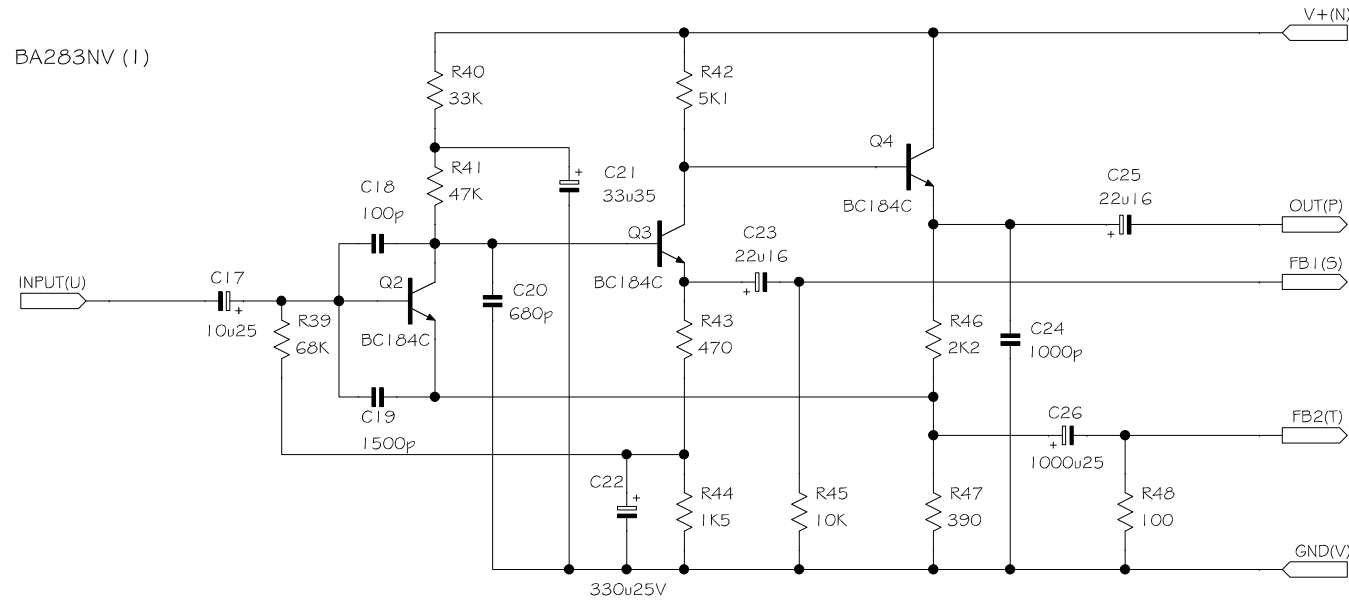
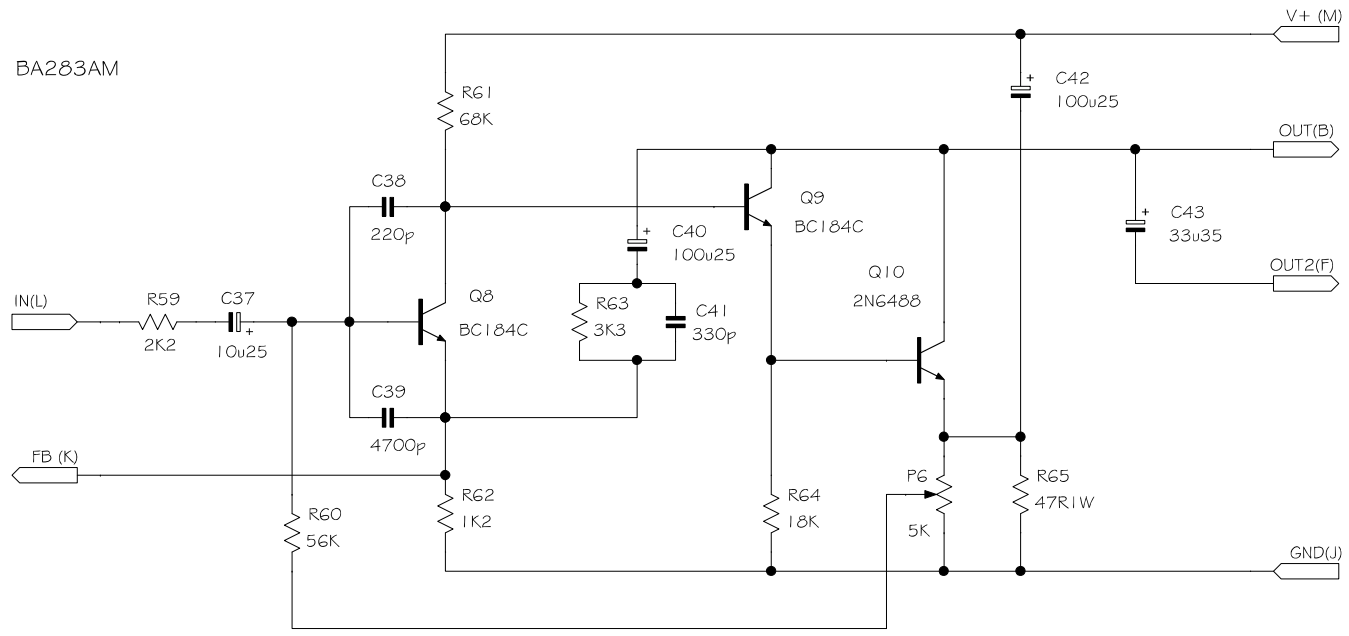


R15 should be omitted if the micpre drives low impedance devices ( $Z_{in} < 1K$ ).

<b>Sound Skulptor</b>	Title : <b>MP73 micpre page 1/4</b>	Sch Rev : 1.2
	www.soundskulptor.com	PCB Rev : 1.2
	Copyright ©2007 SoundSkulptor	Last modified : 09/05/13

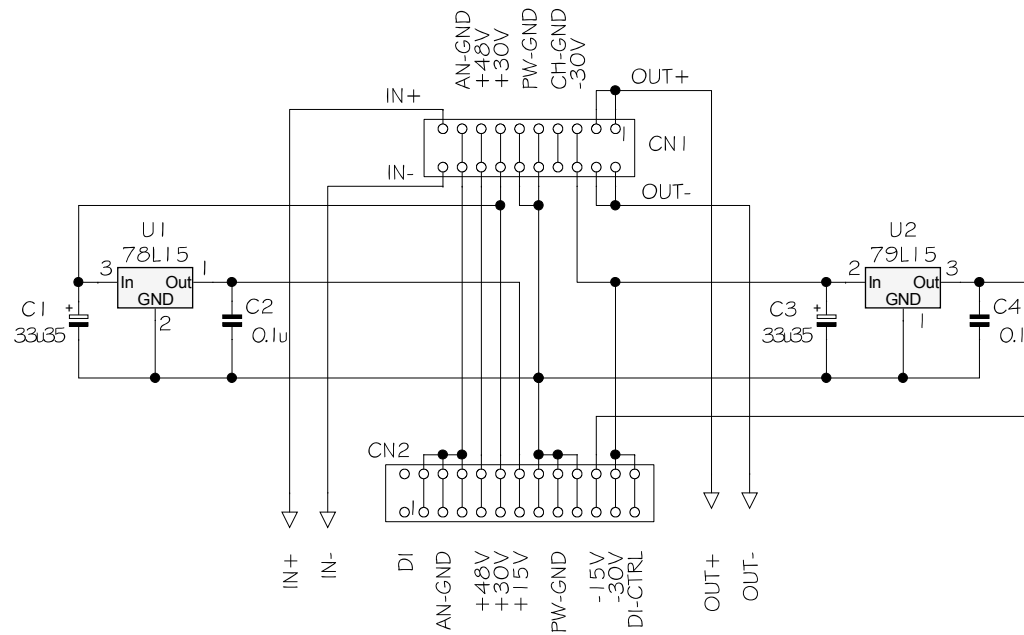






BA283AM

<b>Sound Skulptor</b>	Title : <b>MP73 micpre page 4/4</b>	Sch Rev : 1.2
	www.soundskulptor.com	PCB Rev : 1.2
	Copyright ©2007 SoundSkulptor	Last modified : 09/05/13



<b>Sound Skulptor</b>	<b>Title:</b> V12V2 - V1 to V2 adapter	Sch Rev : 1.3
	www.soundskulptor.com Copyright ©2011 - today SoundSkulptor	
	Last modified : 25/06/11	