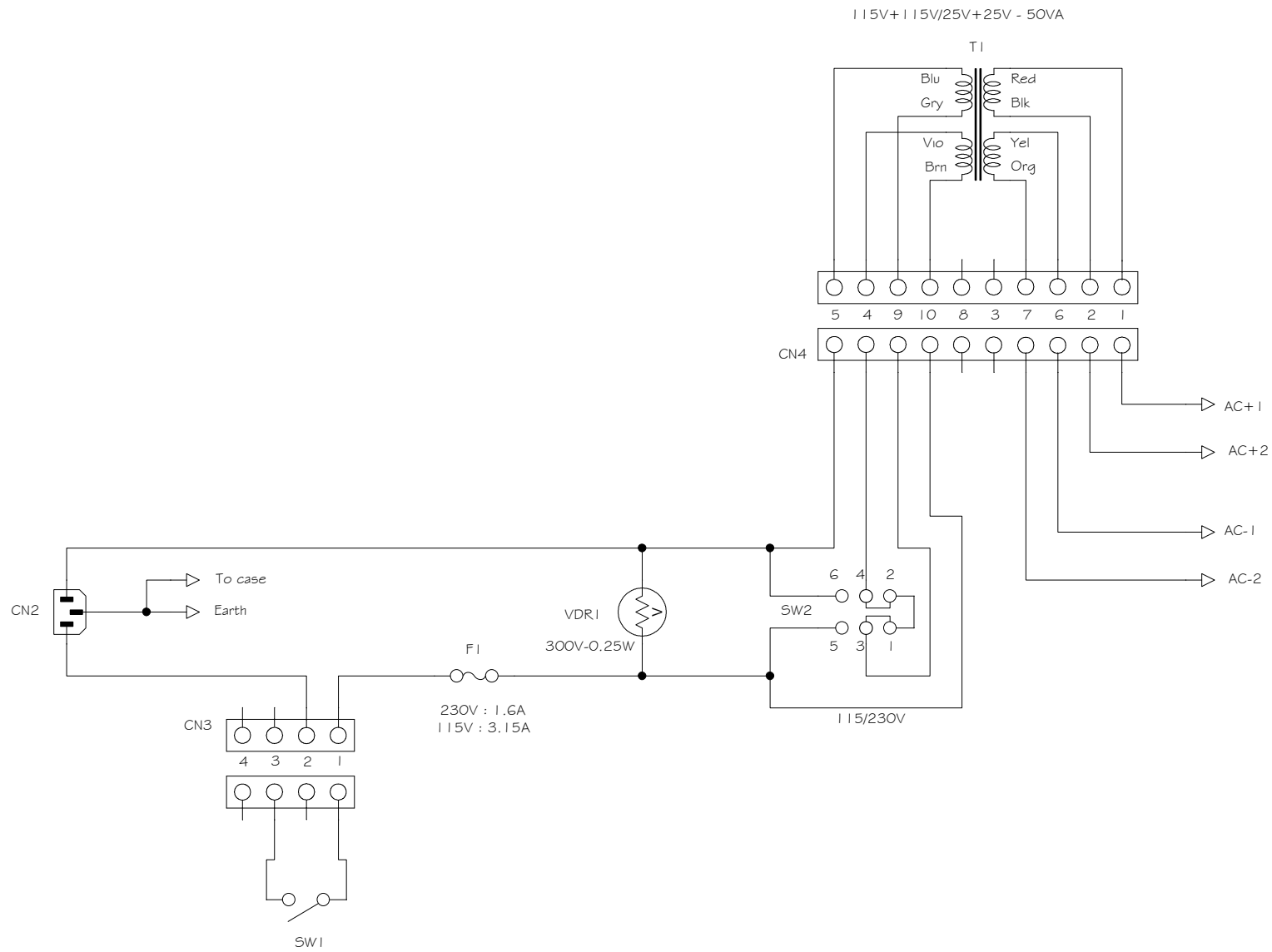


Sound Skulptor	Title : PSL1 Power supply p. 1/2	Sch Rev : 2.1
	www.soundskulptor.com Copyright ©2007 SoundSkulptor	PCB Rev : 2.1
		Last modified : 12/02/08



Sound Skulptor	Title : PSL1 Power supply Page 2/2	Sch Rev : 2.1
	www.soundskulptor.com Copyright ©2007 SoundSkulptor	PCB Rev : 2.1
		Last modified : 12/02/08