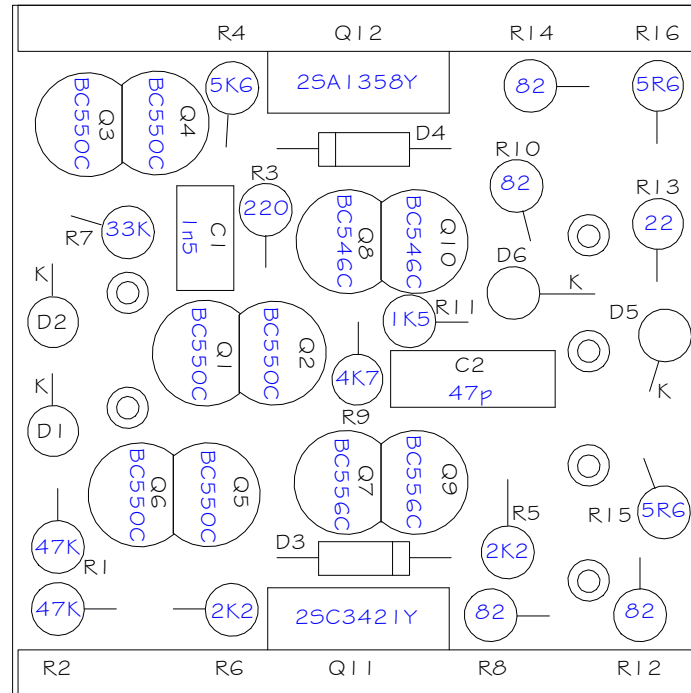


DI-D6 : 6 x IN914



<b>SOUND SKULPTOR</b>	Title	SK25 Component Layout	Sch Rev	1.1
	www.soundskulptor.com		PCB Rev	1.1
	Copyright ©2007 Soundskulptor		Last modified	22/09/07