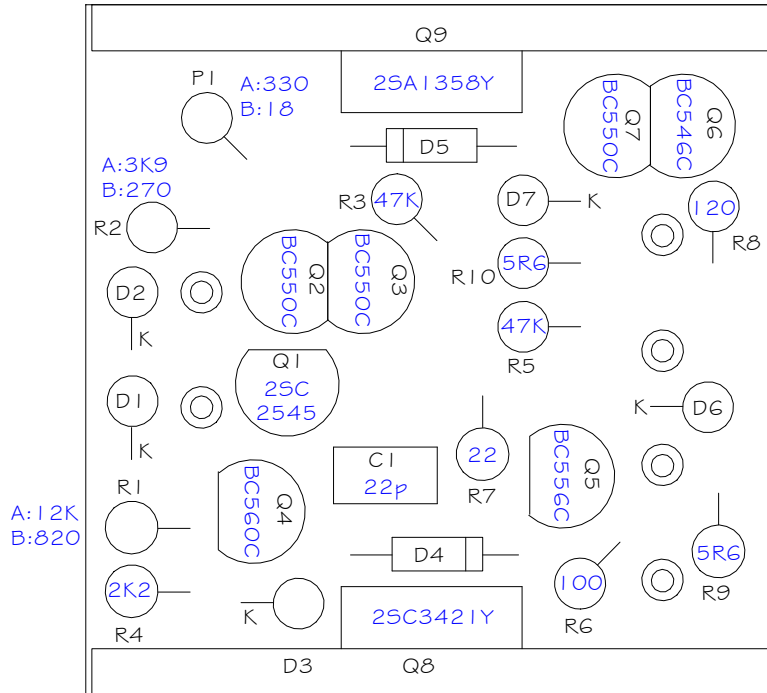


D1-D7 : 7 x 1N914



A: 12K
B: 820

SOUND SKULPTOR	Title	SK47 Component Layout	Sch Rev	1.1
	www.soundskulptor.com Copyright ©2007 Soundskulptor		PCB Rev	1.1
			Last modified	03/10/07