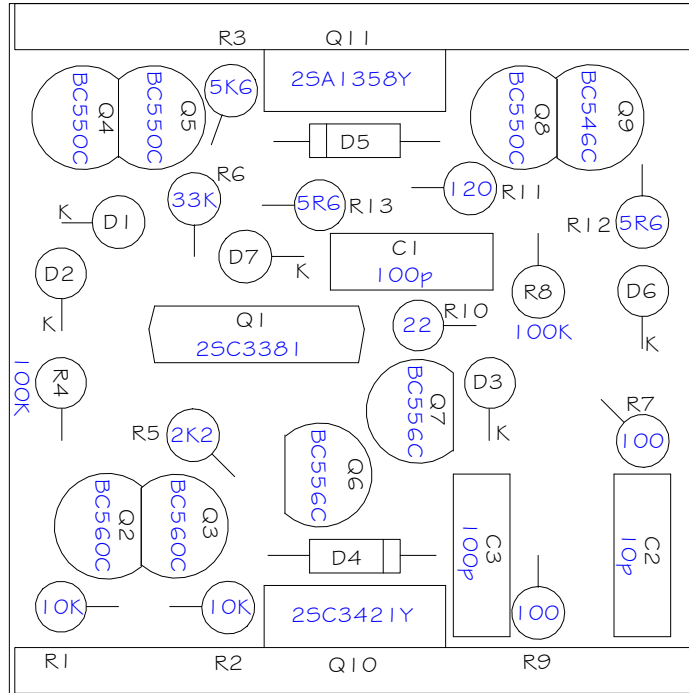


D1-D7 : 7 x IN914



SOUND SKULPTOR	Title	SK99A Component Layout	Sch Rev	1.2
	www.soundskulptor.com Copyright ©2007 Soundskulptor		PCB Rev	1.1
			Last modified	03/10/07