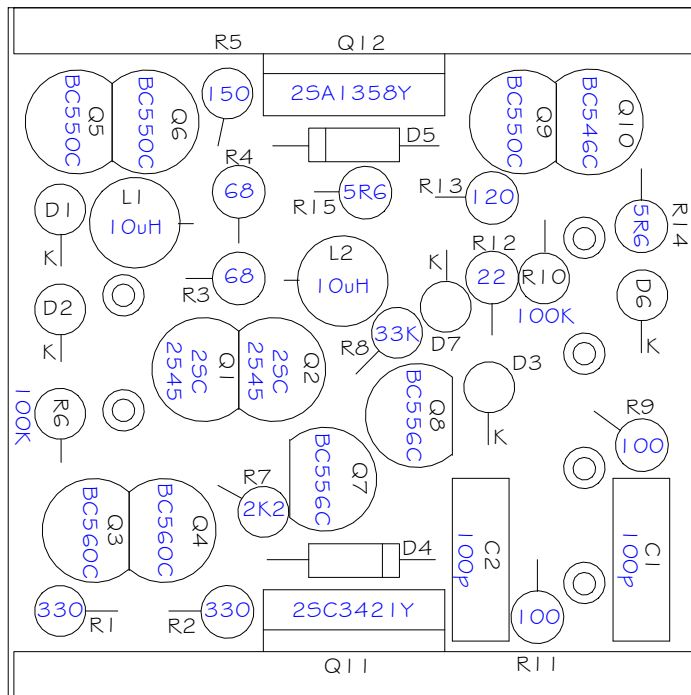


DI-D7 : 7 x 1N914



<b>SOUND SKULPTOR</b>	Title	SK99B Component Layout	Sch Rev	1.1
	www.soundskulptor.com Copyright ©2007 Soundskulptor		PCB Rev	1.1
			Last modified	16/05/07