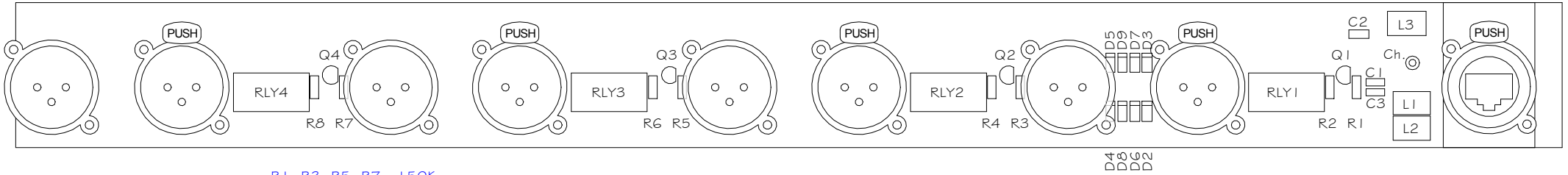


Q1...Q4 : 2N7000

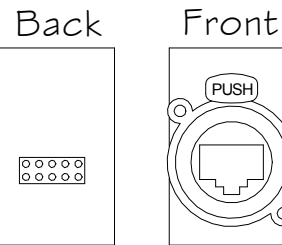
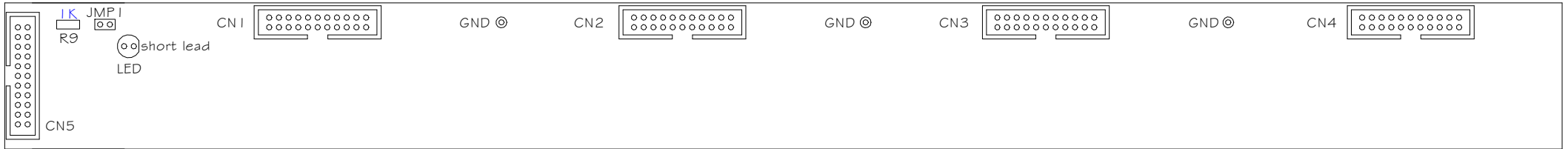
Front

C1, C2, C3 : 100n

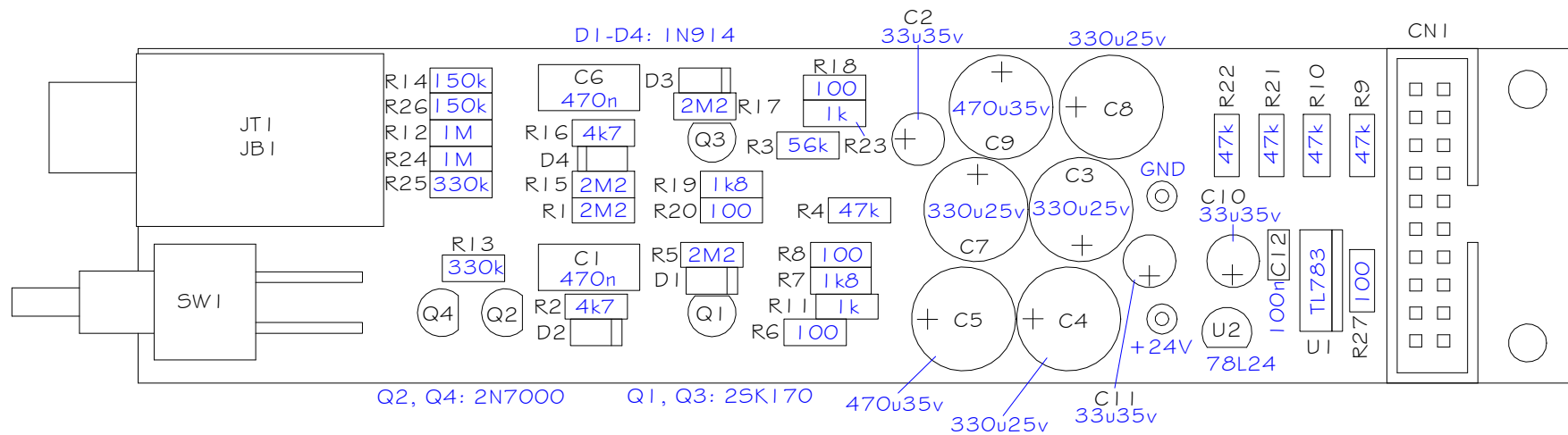


R1, R3, R5, R7 : 150K
R2, R4, R6, R8 : 100K

Back



SOUND SKULPTOR	Title	SKMP V2 Component Layout page 1/1	Sch Rev	1.3
	www.soundskulptor.com Copyright ©2011 Soundskulptor		PCB Rev	1.3
			Last modified	08/04/11



SOUND SKULPTOR	Title	D12 Component Layout	Sch Rev	1.4
	www.soundskulptor.com Copyright ©2011 -today Soundskulptor		PCB Rev	1.4
			Last modified	06/07/11