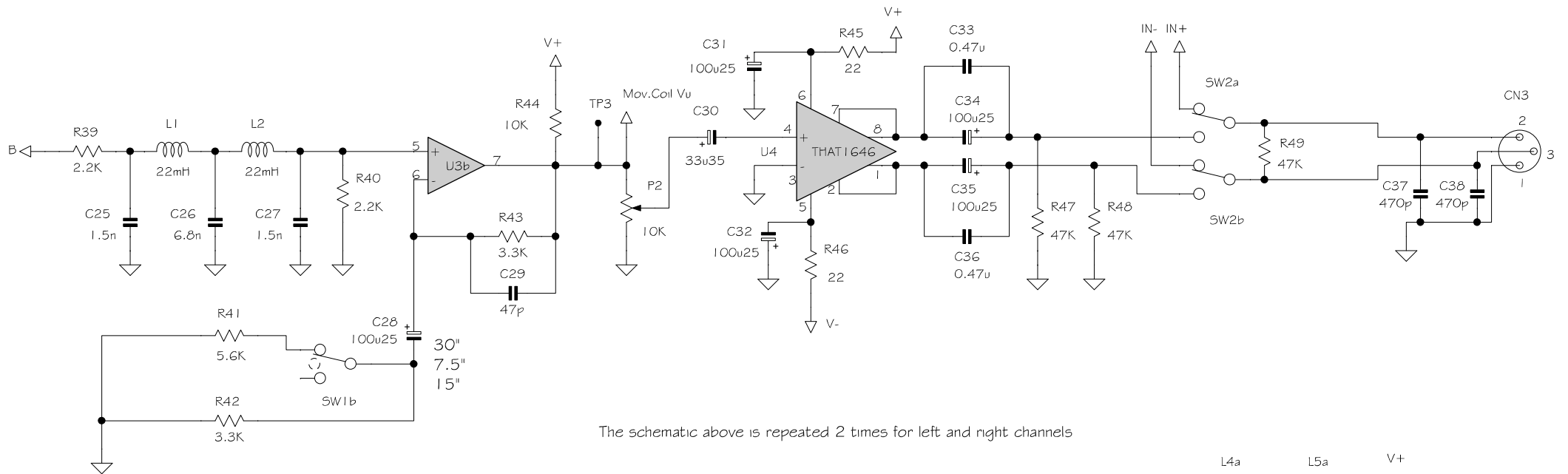
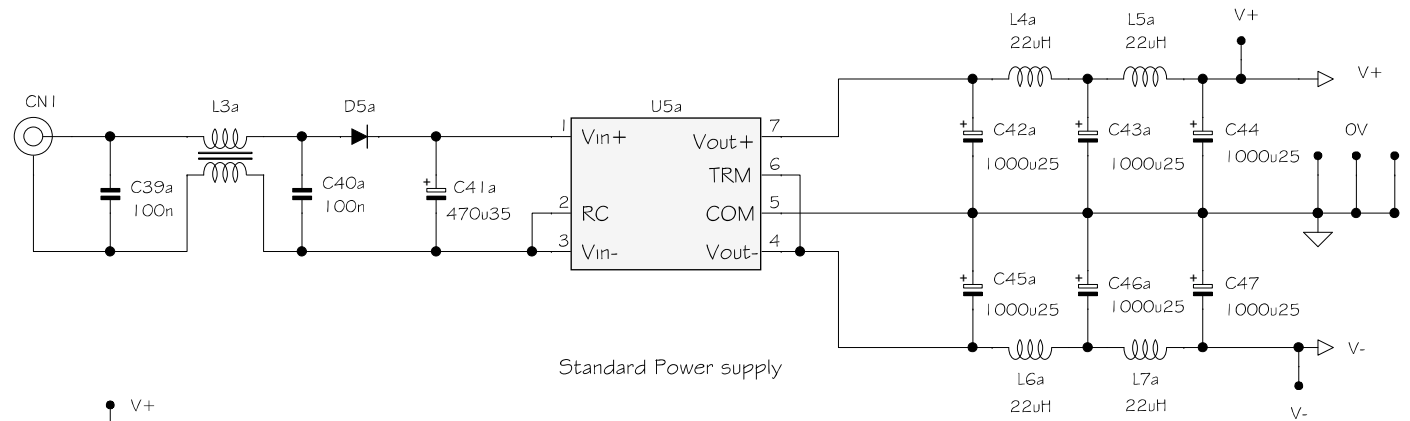


This schematic is repeated 2 times for left and right channels

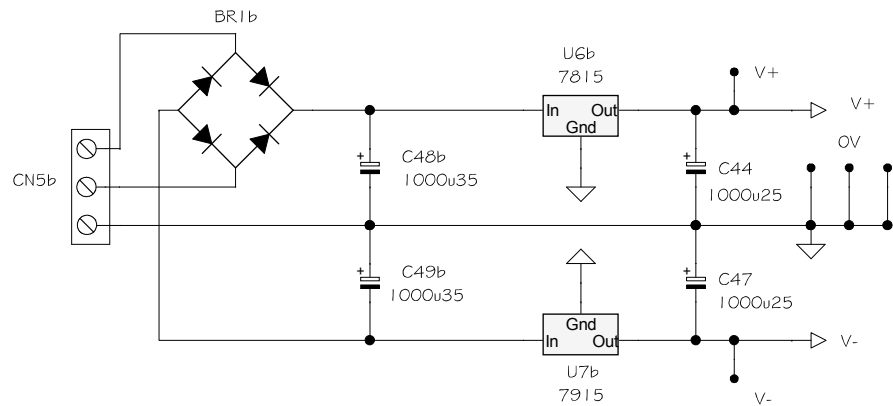
<b>Sound Skulptor</b>	Title : <b>Stereo Tape Simulator page 1/2</b>	Sch Rev : 1.5
	<a href="http://www.soundskulptor.com">www.soundskulptor.com</a> Copyright ©2010 SoundSkulptor	PCB Rev : 1.4
		Last modified : 26/02/13



The schematic above is repeated 2 times for left and right channels

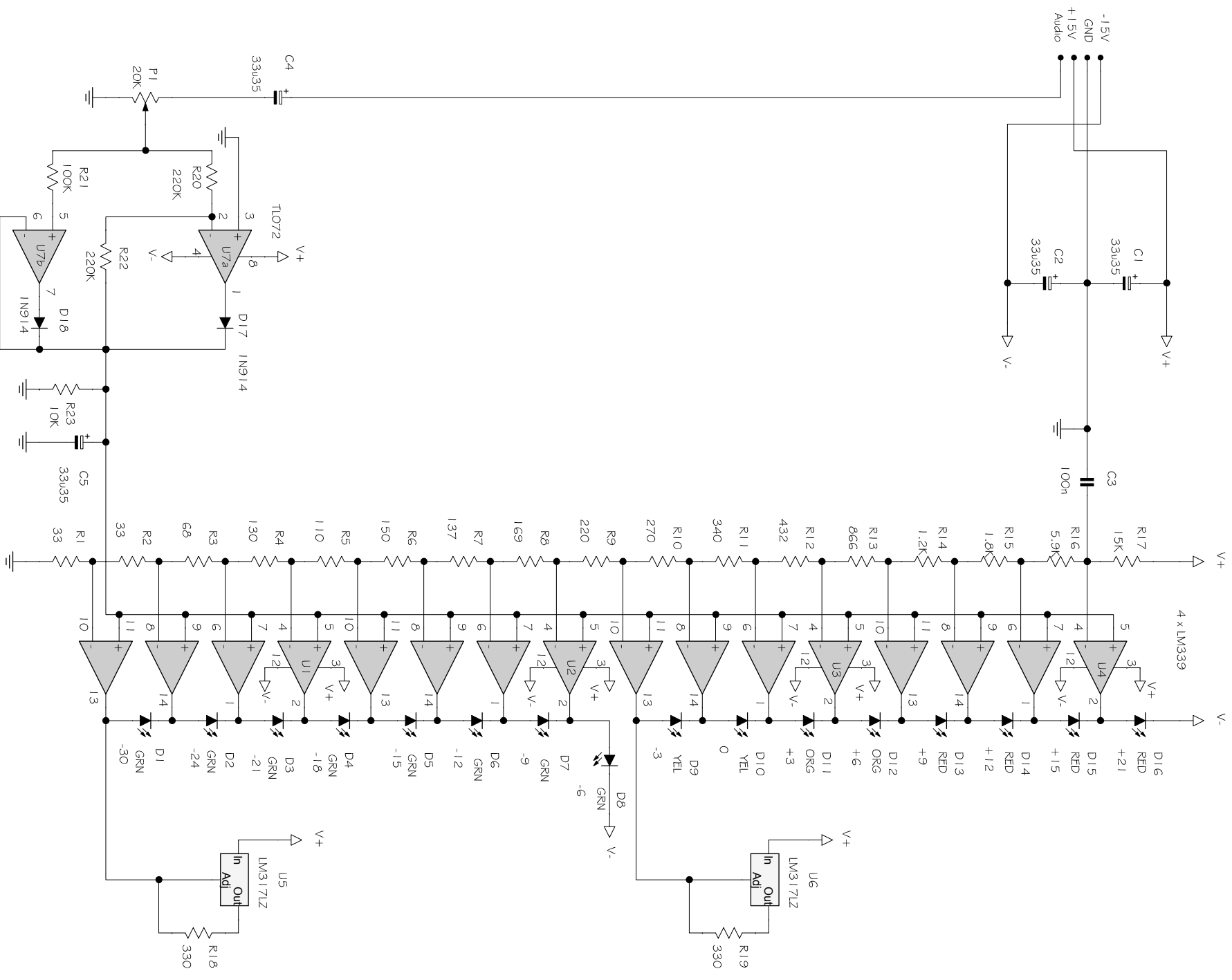


Standard Power supply



Optional Power supply

<b>Sound Skulptor</b>	Title : <b>Stereo Tape Simulator page 2/2</b>	Sch Rev : 1.5
	www.soundskulptor.com	PCB Rev : 1.4
	Copyright ©2010 SoundSkulptor	Last modified : 26/02/13



Sound  
Skulptor

Title : VuM-1G  
www.soundskulptor.com  
Copyright ©2010 SoundSkulptor

Peak meter

Sch Rev : 1.3  
PCB Rev : 1.3  
Last modified : 25/01/10