

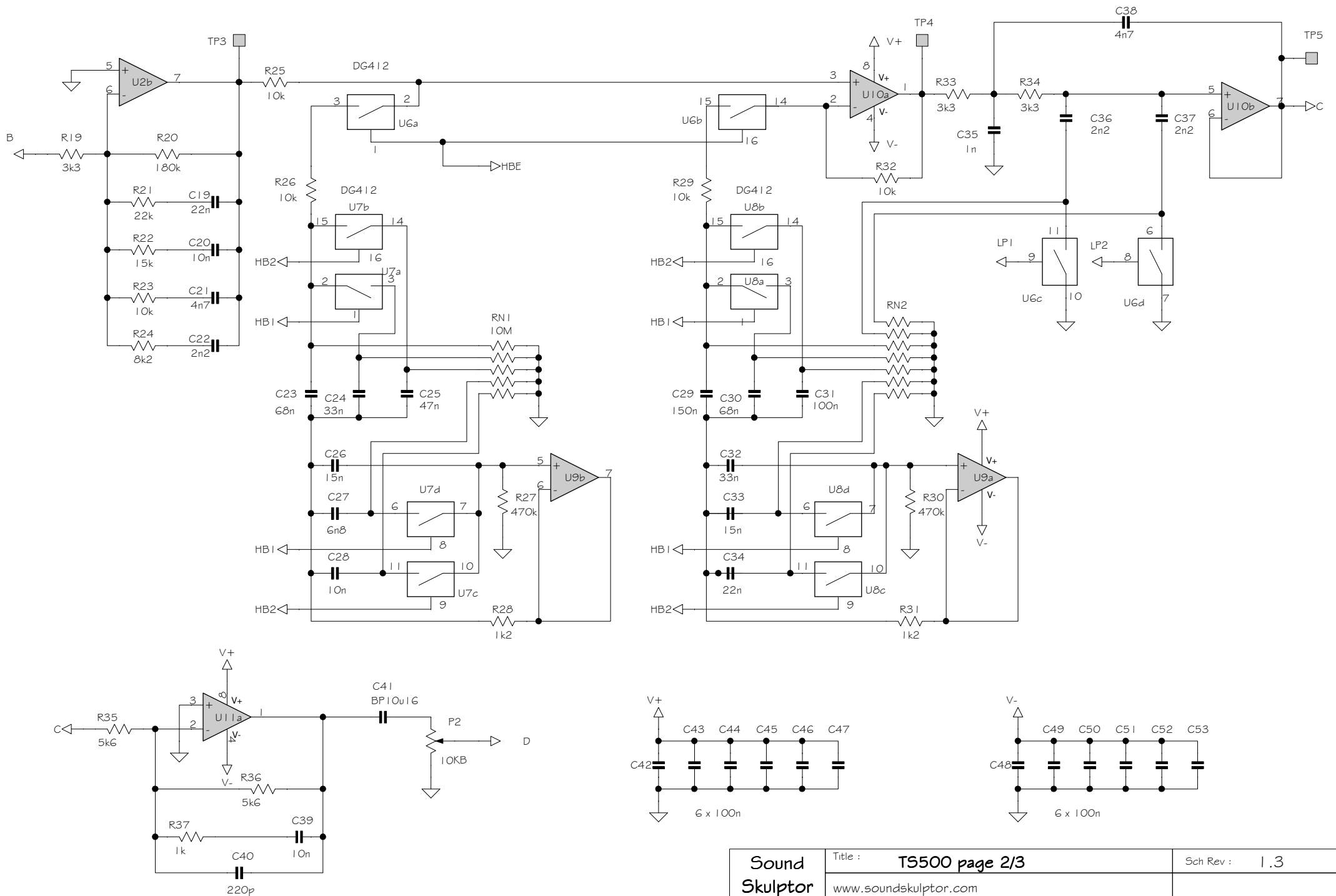
Sound  
Skulptor

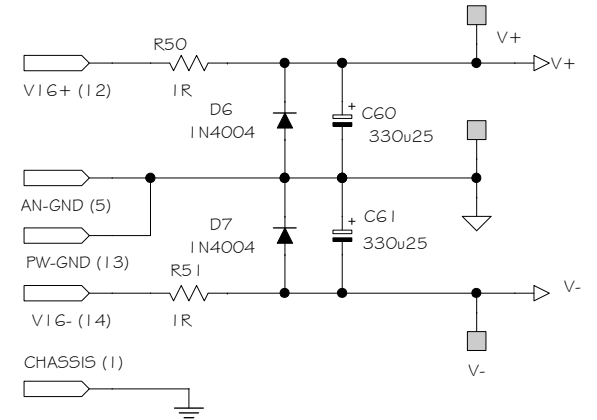
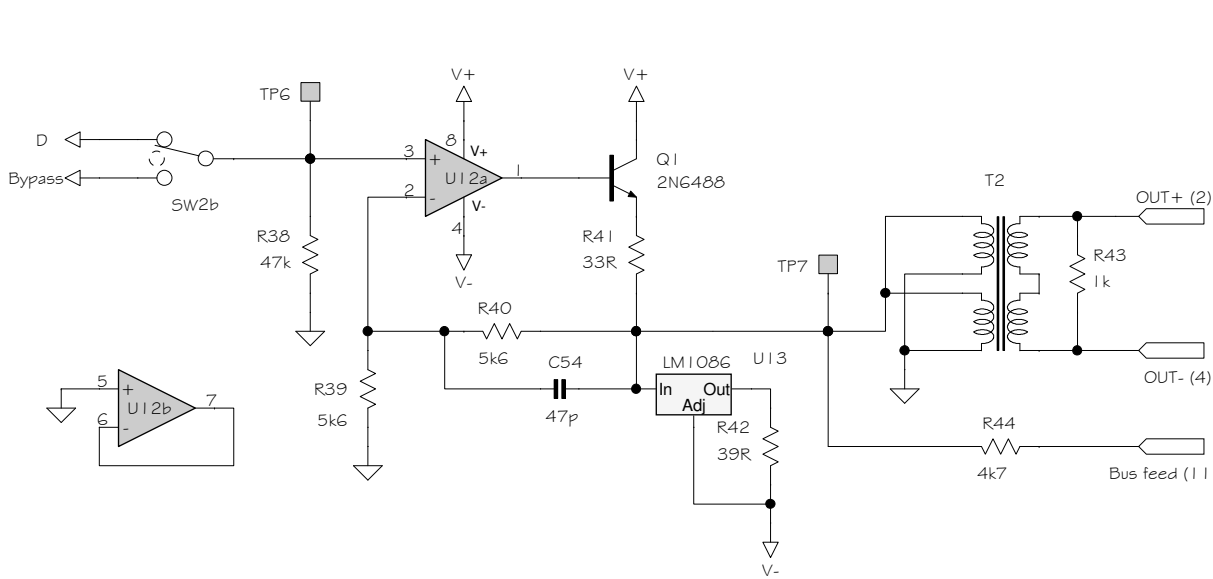
Title : T5500 page 1/3

www.soundskulptor.com  
Copyright ©2016 SoundSkulptor

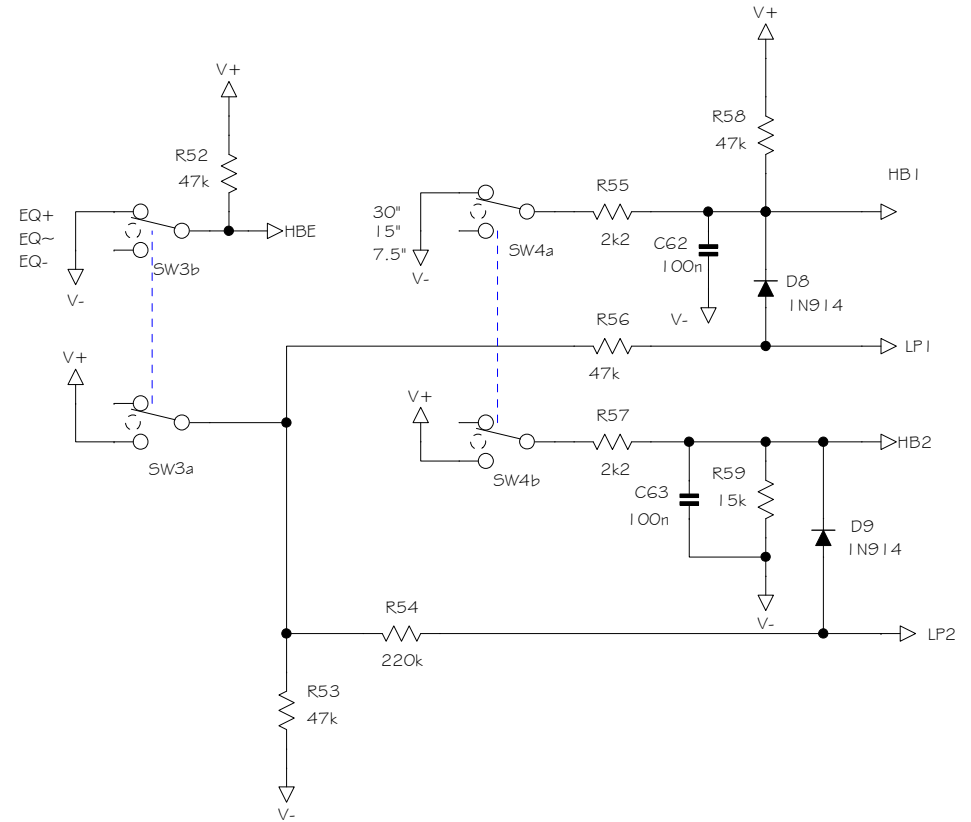
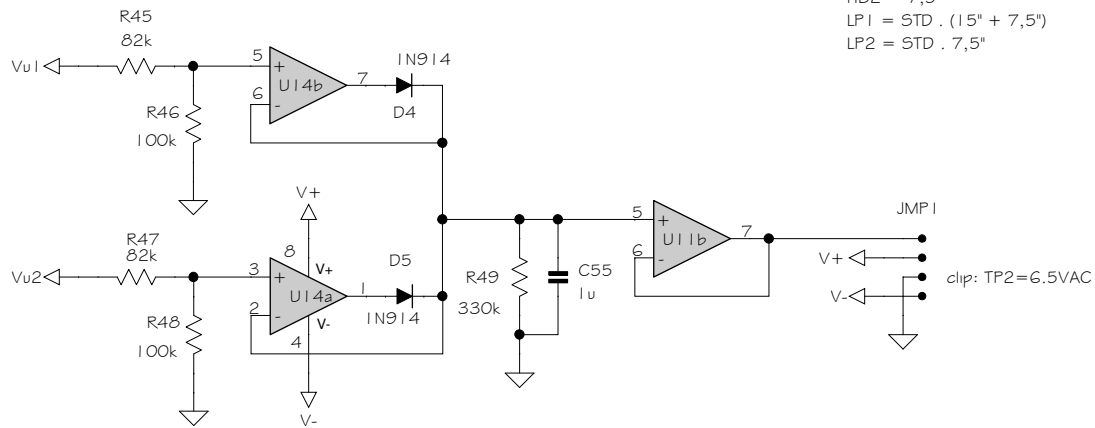
Sch Rev : 1.3

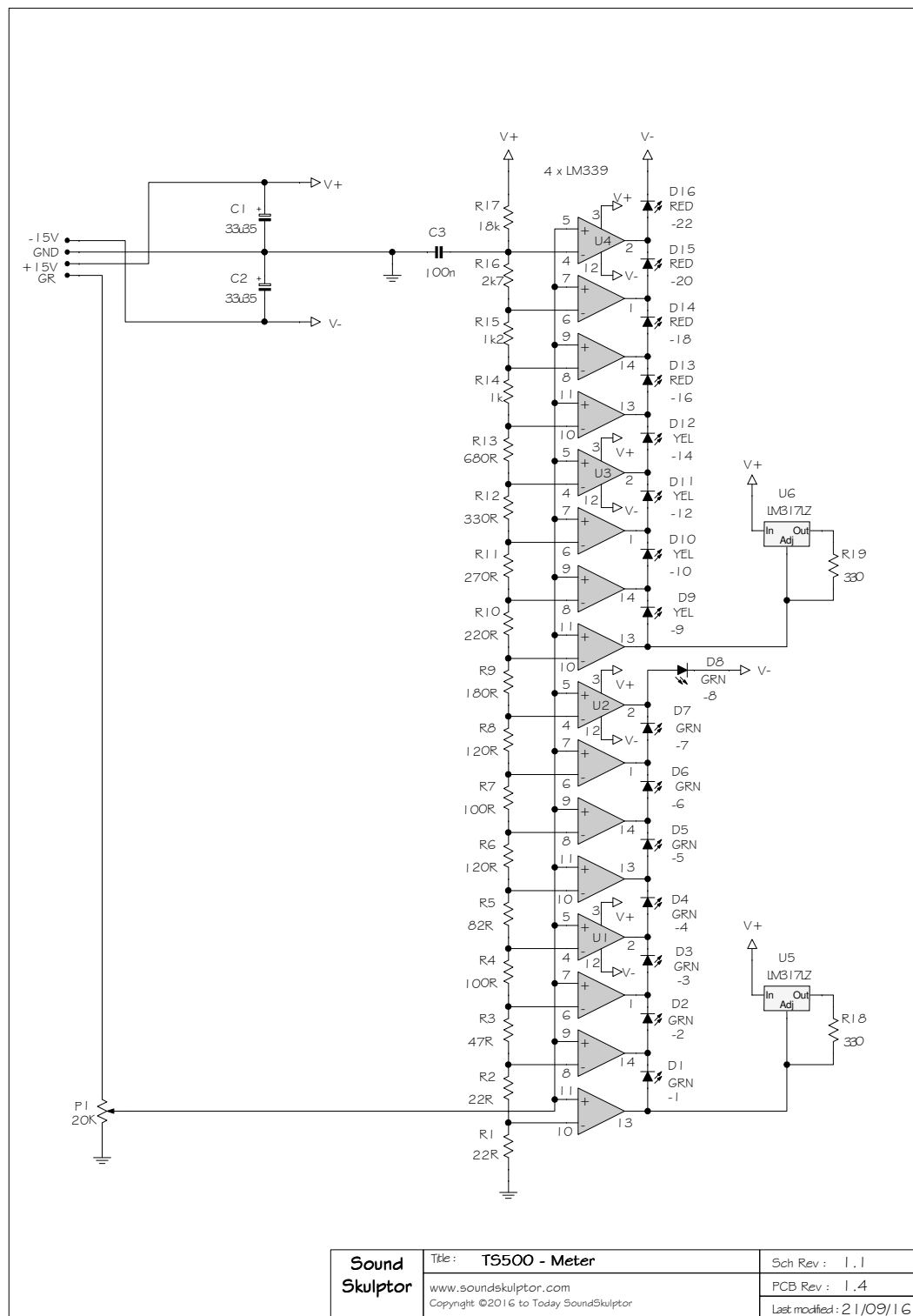
Last modified : 21/09/16





HBE = EQ-LF  
 HB1 = 15" + 7,5"  
 HB2 = 7,5"  
 LP1 = STD . (15" + 7,5)"  
 LP2 = STD . 7,5"





Sound Skulptor	Title: TS500 - Meter	Sch Rev : 1.1
	www.soundskulptor.com	PCB Rev : 1.4
	Copyright ©2016 to Today SoundSkulptor	Last modified : 21/09/16