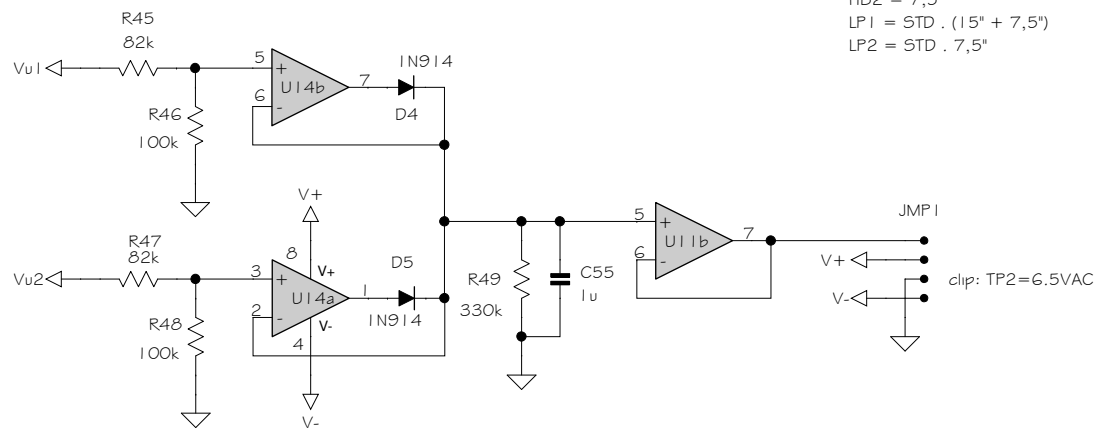
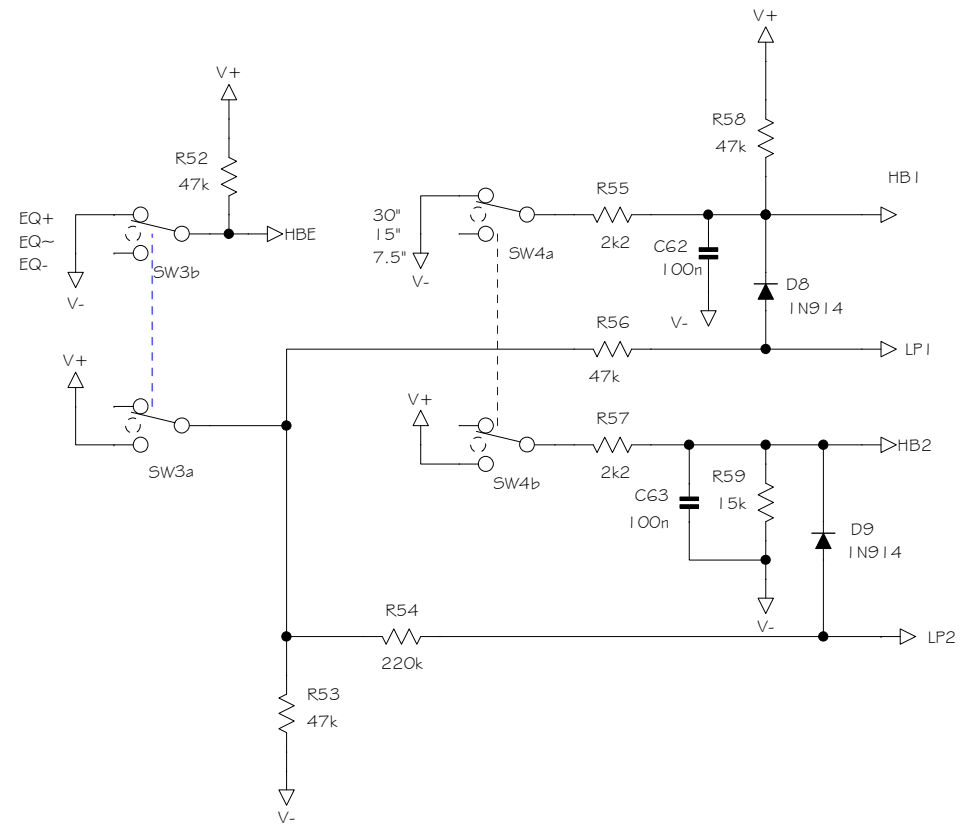
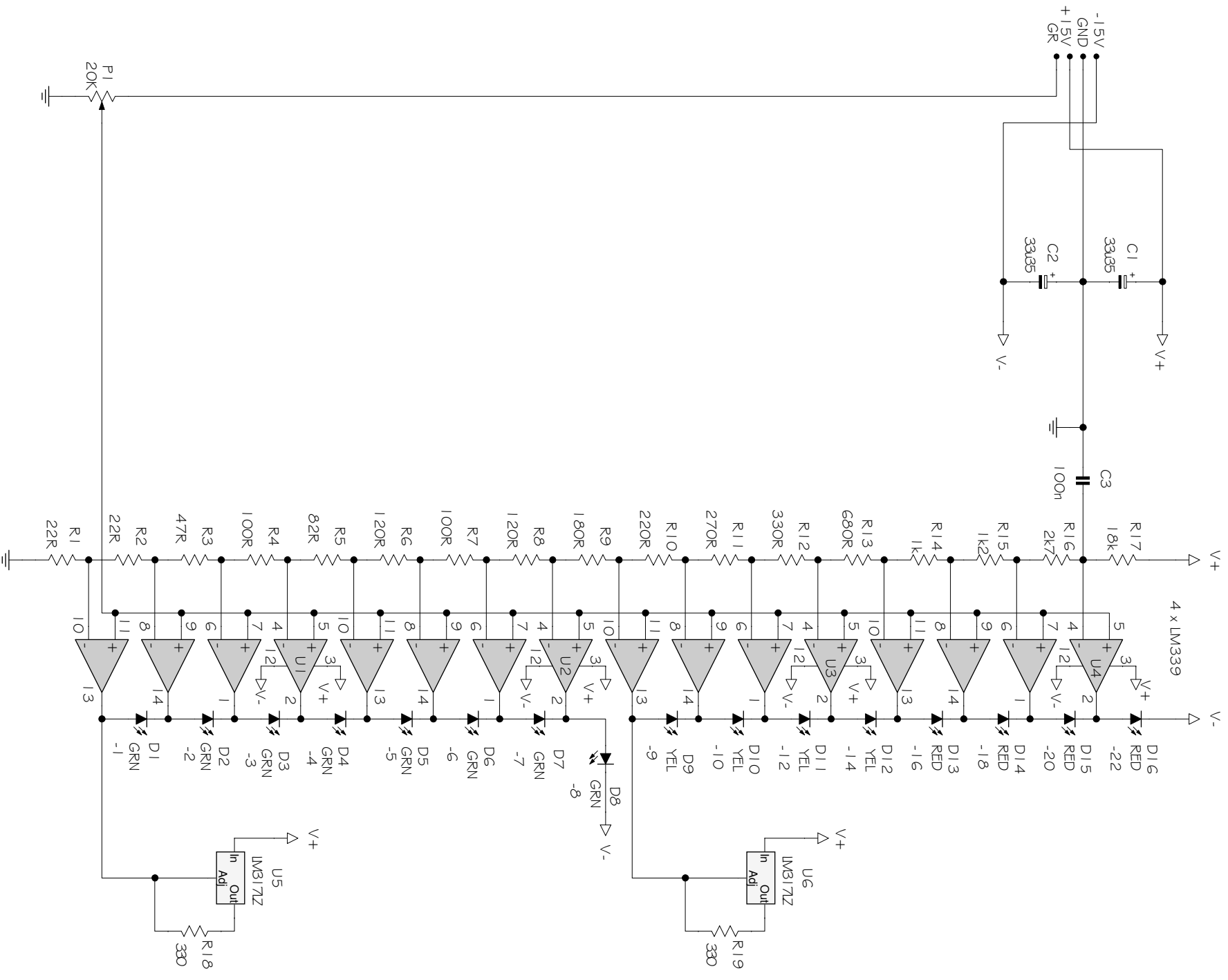


HBE = EQ-LF
 HB1 = 15" + 7,5"
 HB2 = 7,5"
 LP1 = STD . (15" + 7,5")
 LP2 = STD . 7,5"



Sound Skulptor	Title : TS500 page 3/3	Sch Rev : 1.3
	www.soundskulptor.com Copyright ©2016 SoundSkulptor	
	Last modified : 16/12/16	



Sound

Skulptor

Title: 15500 - Meter

www.soundskulptor.com

Copyright ©2016 to Today SoundSkulptor

Sch Rev : 1.1

PCB Rev : 1.4

Last modified : 21/09/16